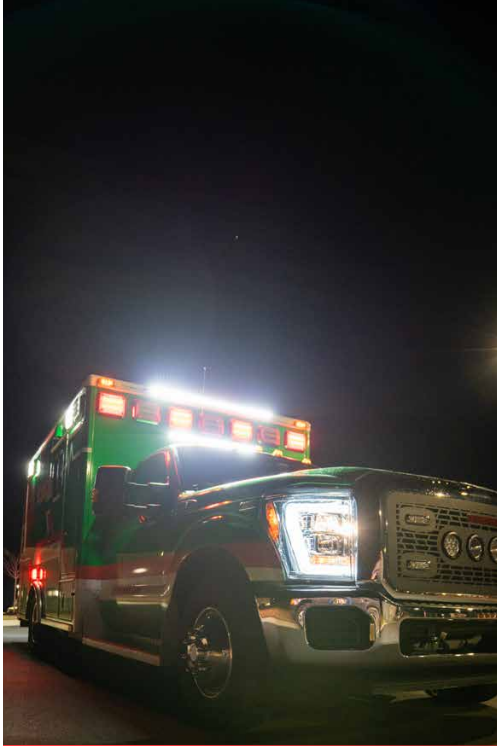


FIRETECH[®]

BY HIVEZ LED LIGHTING



TABLE OF



4

INTRODUCTION TO FIRETECH®



6

WARNING LIGHTS

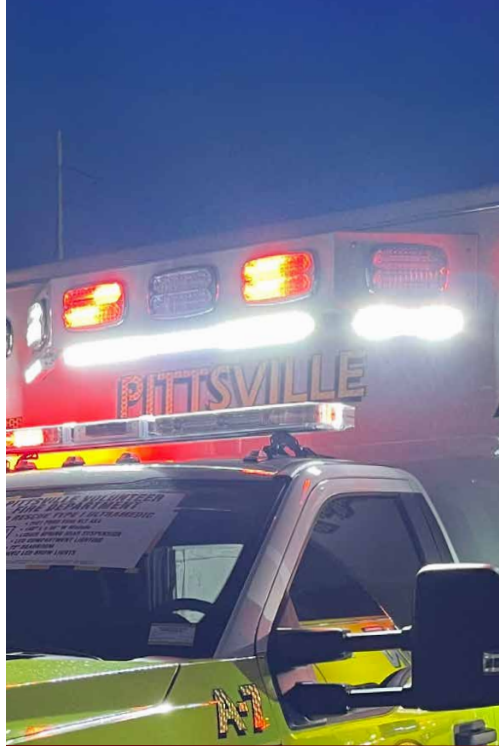
Guardian® Warning Lights
Guardian Hybrid Warning & Scene Lights
Guardian G-Series Warning Lights
Guardian Jr. Tail Lights



18

SCENE LIGHTS

Guardian Series Scene Lights



22

26

30

**INTERIOR &
UNDERCARRIAGE
LIGHTS**

Dome Lights
HD Strip Lights
Undercarriage Lights

**BAR STYLE
FIXTURES**

Brow Lights
MiniBrow® Lights

NEW VIOLET

UV-C Germicidal Lighting System

CONTENTS



ABOUT THE FIRETECH® BRAND

BY HIVIZ LED LIGHTING®

AT HIVIZ, WE HELP FIRST RESPONDERS WORK MORE SAFELY AND EFFECTIVELY AFTER DARK.

We do this by providing reliable lighting technologies for emergency vehicles. Our team is dedicated to developing the most innovative, highest quality LED scene lighting solutions on the market.



MORE LIGHT

With the highest luminous efficacy on the market, our fixtures produce more lumens per watt than others on the market. That means more light, where you need it, every single time.



BETTER WARRANTY

Our fixtures are built to last. Therefore, HiViz is proud to offer a Lifetime Advance Exchange Warranty on all FireTech products. Advance exchange means that we ship you a new fixture first and then you send us the old one back after the swap. We can't promise that you'll never have a problem, but we can promise that we'll take care of it if you do.



SAME COST

Lumen for lumen, HiViz fixtures beat the competition in both performance and price. What does this mean? You get the light output you deserve at a price point you can afford.



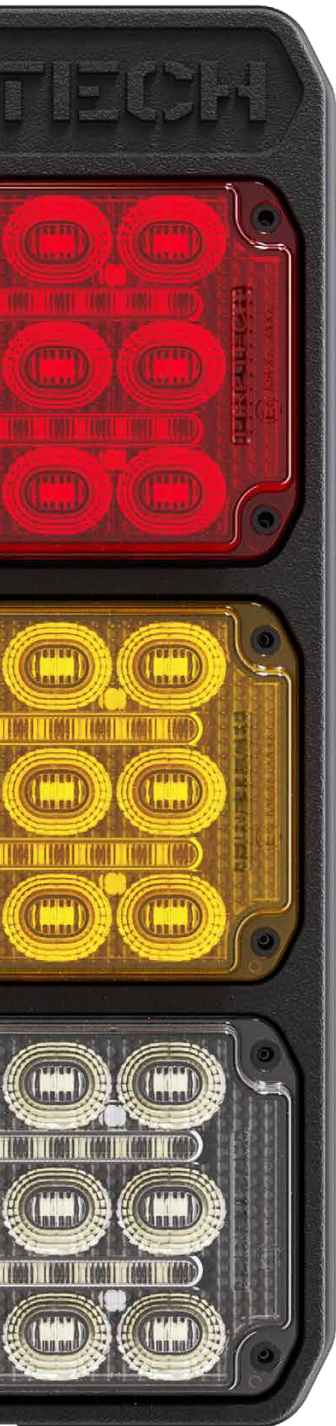
DEVELOPED BY FIRST RESPONDERS

We've responded to roadside emergencies in the middle of the night, so we know the challenges that you face. Our team is comprised of first responders and we take our real world knowledge into account when designing and engineering our products.





LIGHTING QUALITY AS A PRIORITY



INGRESS PROTECTION

Products are sprayed from close distances with 80~100 bar water pressure to verify the ingress protection rating, ensuring they are sealed properly.



SUBMERSION & AGING

Every product is run through a submersion (water dunk) test, then placed onto an aging rack and powered up for 30 minutes.



THERMAL IMPACT

Products are placed in a -40°C chamber for 30 minutes and then placed in an 80°C chamber for an additional 30 minutes. Products are then powered up for 72 hours.



LONG TERM DURABILITY

Products are switched on and off 150,000 times repeatedly to ensure that they remain functional after all testing.



CONSUMPTION & INPUT RANGE

All products are tested with a digital power meter to ensure that they are consuming the correct amount of power and have no electrical faults.

INTRODUCTION TO FIRETECH®

WARNING LIGHTS

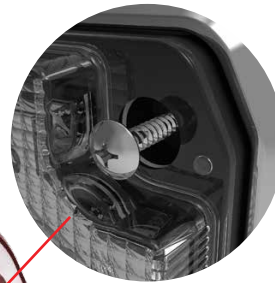




WARNING LIGHTS

WHY CHOOSE THE GUARDIAN SERIES?

BACKED BY THE FIRETECH ADVANCE EXCHANGE LIFETIME WARRANTY



CRACK-FREE CORNER DESIGN

Screws never come in contact with corner plastic, preventing cracking and moisture intrusion.

PRECISION LINEAR OPTICS

Using a linear optic, this fixture can generate an ultra-wide beam that is visible for miles.



FLASH MODES FOR GUARDIAN HYBRID AND WARNING LIGHTS (EXCEPT FOR HYBRID GUARDIAN JR, WHICH HAS SOLID FLASH AND LEFT/RIGHT)



Solid Flash



Left/Right



Up/Down

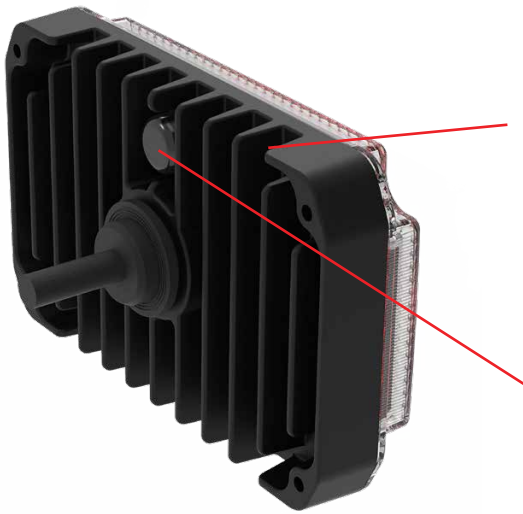


X - Pattern



SEE THE DIFFERENCE

INDUSTRIAL GRADE PERFORMANCE

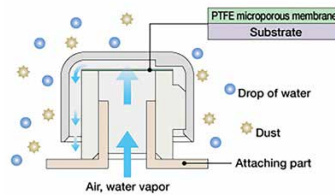


HIGH PERFORMANCE ALUMINUM HEAT SINK

Most warning lights use a plate of sheet metal to keep the fixture cool. **The #1 killer of LED lighting in the public safety industry is elevated circuit temperature**, and we tooled this fixture to be capable of withstanding anything you throw at it.

NITTO TEMISH VENT

The Nitto TEMISH Vent allows moisture to vent ensuring no unwanted condensation or water droplets trapped in the lens. **The 2nd most common killer of LED lights in our industry is moisture**. With the TEMISH vent, leave your worries at the station.



WARNING LIGHTS



**THEY ARE SO STRONG
YOU CAN HANG A
HUMMER FROM THEM!**

GUARDIAN® WARNING LIGHTS

SURFACE MOUNTED WARNING LIGHTS



KEY FEATURES

- Multi-unit synchronization in simultaneous or alternating flash
- Crack-proof corners
- Vented housing
- Industrial grade aluminum heat sink
- Day / night modes available

THE ULTIMATE AMBULANCE WARNING LIGHT

After many years of requests, we're excited to unveil the ultimate ambulance warning light system! These fixtures are super durable and are the only fixtures in their class to feature a full-sized aluminum heat sink. We know from our background in the fire space that overheated circuitry is the number one killer of LEDs in public safety vehicles, and moisture intrusion is a close runner up. With the FireTech® Guardian Series of warning lights, you can rest assured we've got both areas covered and, if we're wrong, we will replace the fixture through our industry-leading Advance Exchange Lifetime Warranty.

GUARDIAN WARNING LIGHT OPTIONAL ACCESSORIES



GUARDIAN RETROFIT GASKET ADD -RGKIT TO THE END OF P/N

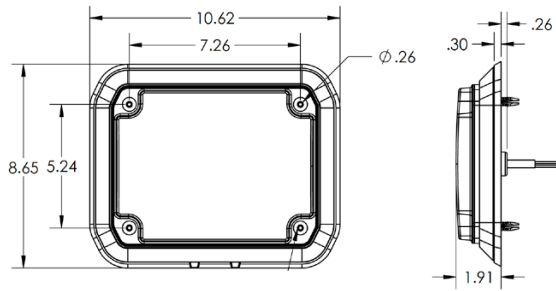
For replacing legacy fixtures that had a different sized cutout/bolt pattern. Covers old or oversized holes in the apparatus body.



BEZEL DELETE GASKET ADD -BDKIT TO THE END OF P/N

Allows for the installation of Guardian light without the chrome bezel for a reduced mounting profile.

GUARDIAN® WARNING LIGHT



FT-GSM-WN-**-*

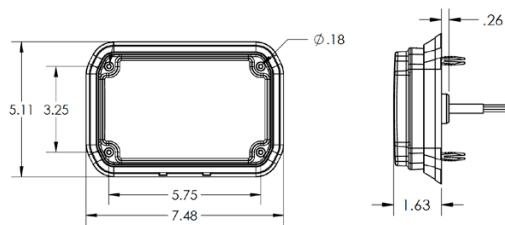
** - LED COLOR, * - OPT. BEZEL COLOR (B-BLACK)

- Red
- Blue
- Amber
- White
- RB
- RA
- RW
- BA
- BW
- AW

GUARDIAN | WARNING LIGHT

DIMENSIONS	8.65" x 10.62" x 1.91"
WEIGHT	4.4 LBS.
BEZEL	CHROME OR BLACK
AMP DRAW (AVG PEAK)	1.2A @12V DC 3.1A @12V DC
WATTAGE (AVG PEAK)	16W 40W
INPUT VOLTAGE DC	9-32V DC
CERTIFICATIONS	SAE J595 CLASS 1; SAE J578
LED COLOR OPTIONS	RED, BLUE, AMBER, WHITE, RED & BLUE, RED & AMBER, RED & WHITE, BLUE & AMBER, BLUE & WHITE, AMBER & WHITE

GUARDIAN JR WARNING LIGHT



FT-GSMJR-WN-**-*

** - LED COLOR, * - OPT. BEZEL COLOR (B-BLACK)

- Red
- Blue
- Amber
- White
- RB
- RA
- RW
- BA
- BW
- AW

GUARDIAN JR | WARNING LIGHT

DIMENSIONS	5.11" x 7.48" x 1.63"
WEIGHT	1.7 LBS.
BEZEL	CHROME OR BLACK
AMP DRAW (AVG PEAK)	1.2A @12V DC 3.1A @12V DC
WATTAGE (AVG PEAK)	16W 40W
INPUT VOLTAGE DC	9-32V DC
CERTIFICATIONS	SAE J595; SAE J578
LED COLOR OPTIONS	RED, BLUE, AMBER, WHITE, RED & BLUE, RED & AMBER, RED & WHITE, BLUE & AMBER, BLUE & WHITE, AMBER & WHITE

WARNING LIGHTS





GUARDIAN® HYBRID LIGHTS

WARNING & SCENE HYBRID LIGHTS



KEY FEATURES

- Multi-unit synchronization in simultaneous or alternating flash
- Crack-proof corners
- Vented housing
- Industrial grade aluminum heat sink
- Day / night modes available

TWO FIXTURES IN ONE!

The FireTech® Guardian® Hybrid Warning / Scene Light allows you to combine light functions, meaning you can buy fewer lights and spend less money overall. A superior build quality with increased reliability and performance makes these lights ideal for the EMS market. Consider a FireTech Guardian Hybrid warning / scene light for your next project if budget or real estate are your limiting factors!

GUARDIAN HYBRID OPTIONAL ACCESSORIES



GUARDIAN RETROFIT GASKET ADD -RGKIT TO THE END OF P/N

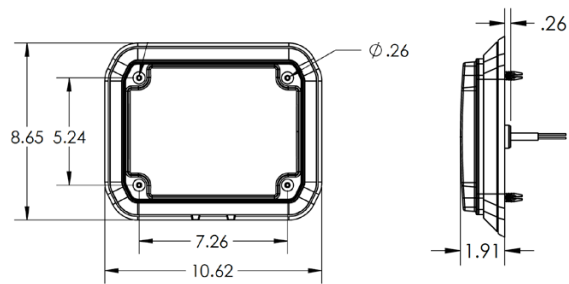
For replacing legacy fixtures that had a different sized cutout/bolt pattern. Covers old or oversized holes in the apparatus body.



BEZEL DELETE GASKET ADD -BDKIT TO THE END OF P/N

Allows for the installation of Guardian light without the chrome bezel for a reduced mounting profile.

GUARDIAN® HYBRID WARNING & SCENE LIGHT



FT-GSM-HY-**-*

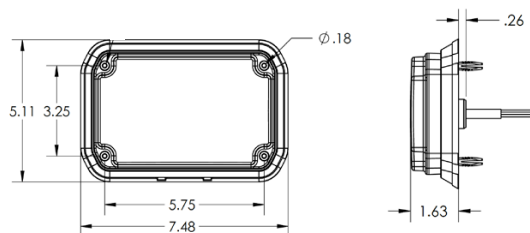
**-LED COLOR, *-OPT. BEZEL COLOR (B-BLACK)

- Red
- Blue
- Amber
- White
- ■ RB
- RW
- ■ BA
- BW
- AW

GUARDIAN HYBRID | WARNING & SCENE LIGHT

DIMENSIONS	8.69" x 10.66" x 1.95"
WEIGHT	4.4 LBS.
BEZEL	CHROME OR BLACK
SCENE AMP DRAW	2.1A @12V DC
SCENE WATTAGE	27W
WARNING AMP DRAW (AVG PEAK)	1.2A @12V DC 3.1A @12V DC
WARNING WATTAGE (AVG PEAK)	16W 40W
INPUT VOLTAGE DC	9-32V DC
WARNING LIGHT CERTIFICATIONS	SAE J595 CLASS 1; SAE J578
SCENE LIGHT CERTIFICATION	AMD 024
LED COLOR OPTIONS	RED, BLUE, AMBER, WHITE, RED & BLUE, RED & AMBER, RED & WHITE, BLUE & AMBER, BLUE & WHITE, AMBER & WHITE

GUARDIAN JR HYBRID WARNING & SCENE LIGHT



FT-GSMJR-HY-**-*

**-LED COLOR, *-OPT. BEZEL COLOR (B-BLACK)

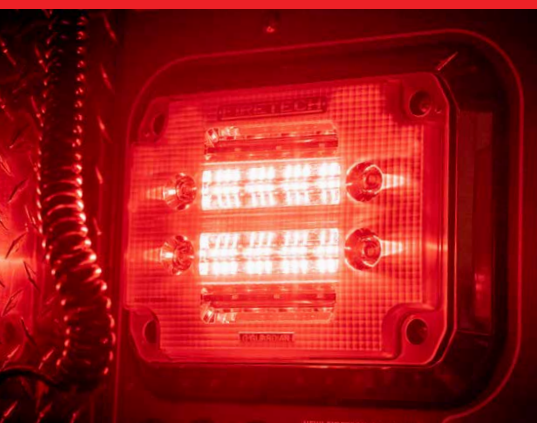
- Red
- Blue
- Amber
- White

GUARDIAN JR HYBRID | WARNING & SCENE LIGHT

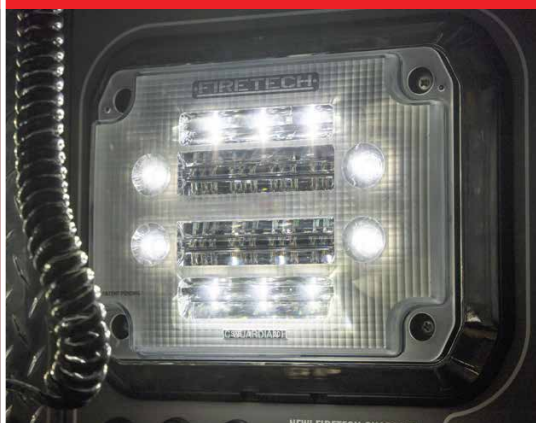
DIMENSIONS	5.11" x 7.48" x 1.63"
WEIGHT	1.7 LBS.
BEZEL	CHROME OR BLACK
SCENE AMP DRAW	1.1A @ 12V DC
SCENE WATTAGE	14W
WARNING AMP DRAW (AVG PEAK)	.6A @12V DC 1.6A @12V DC
WARNING WATTAGE (AVG PEAK)	8W 20W
INPUT VOLTAGE DC	9-32V DC
WARNING LIGHT CERTIFICATIONS	SAE J595 CLASS 1; SAE J578
SCENE LIGHT CERTIFICATION	AMD 024
LED COLOR OPTIONS	RED, BLUE, AMBER, WHITE

WARNING LIGHTS

WARNING ONLY



SCENE ONLY



WARNING & SCENE





GUARDIAN® G-SERIES LIGHTS

FENDER & GRILLE WARNING LIGHTS



KEY FEATURES

- Multi-unit synchronization in simultaneous or alternating flash
- Super low-profile thickness
- Vibration resistant design

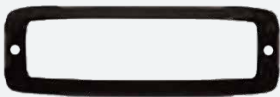
SMALL BUT MIGHTY

Thin, bright, and built to last: Grille and fender lights are a critical safety component as an ambulance approaches an intersection. The safety impact is amplified with our G14 and G25 fixtures because their beam dispersions are optimized for applications lower on the vehicle, where the fixtures are mounted close to eye-level of oncoming traffic. This is created through high-precision optics giving a narrow focus to the light in the vertical plane while displaying a wide breadth of light horizontally.

If you're building a QRV, a patrol car, or any other vehicle where space is limited, the FireTech G-Series is designed to help you help others.

The G25 is available in a dual color configuration, while the G14 is a single-color configuration. Each fixture ships with a chrome bezel. Blackout bezels are available as optional accessories.

G-SERIES OPTIONAL ACCESSORIES



G14 BLACKOUT BEZEL
P/N: P-G14-BOBEZEL

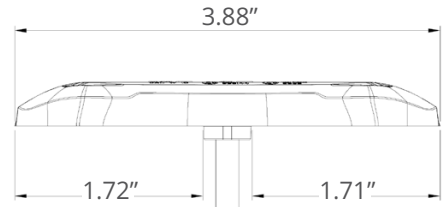
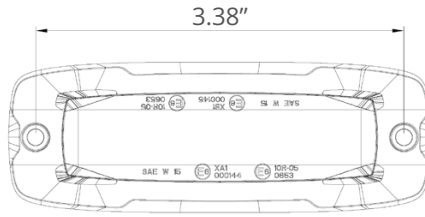
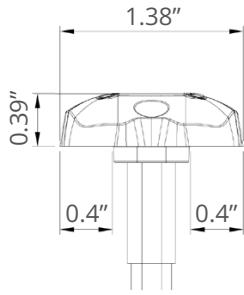
Black replacement bezel for FireTech® Guardian G-Series G14 warning light.



G25 BLACKOUT BEZEL
P/N: P-G25-BOBEZEL

Black replacement bezel for FireTech Guardian G-Series G25 warning light.

GUARDIAN® G-SERIES G14 WARNING LIGHT



FT-G14-**
**** -LED COLOR (RED, WHITE, AMBER)**

■ RED □ WHITE ■ AMBER

G14 | WARNING LIGHT

DIMENSIONS 3.88" x 1.38" x .39"

WEIGHT .1 LBS.

BEZEL CHROME

INPUT VOLTAGE DC 12-24V DC

AMP DRAW (AVG | PEAK)
 .41A @12V DC
 .83A @12V DC

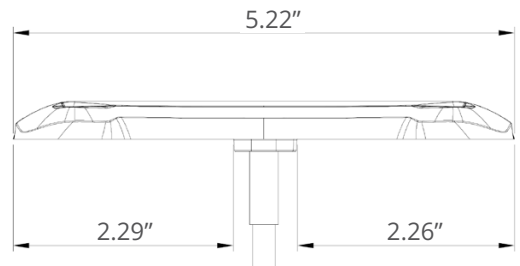
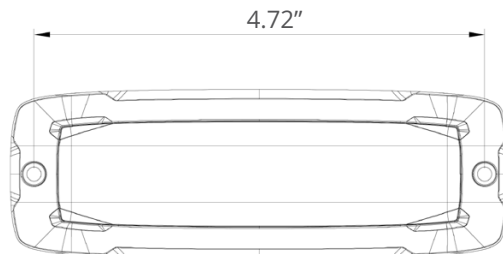
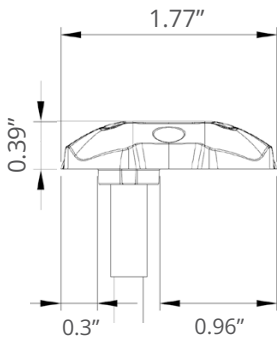
WATTAGE (AVG | PEAK) 5.3W | 10.6W

WARNING LIGHT CERTIFICATIONS SAE J595 CLASS 1

NUMBER OF WARNING PATTERNS 16

LED COLOR OPTIONS RED, WHITE, AMBER

GUARDIAN G-SERIES G25 WARNING LIGHT



FT-G25-**
**** -LED COLOR (RED, BLUE, AMBER, GREEN, WHITE, RW, AW)**

■ RED ■ BLUE ■ AMBER ■ GREEN
 □ WHITE ■ RW □ AW

G25 | WARNING LIGHT

DIMENSIONS 5.22" x 1.77" x .39"

WEIGHT .2 LBS.

BEZEL CHROME

INPUT VOLTAGE DC 12-24V DC

AMP DRAW (AVG | MAX) .8A @12V DC | 1.6A @12V DC

WATTAGE (AVG | MAX) 10.6W | 21.1W

WARNING LIGHT CERTIFICATIONS SAE J595 CLASS 1

NUMBER OF WARNING PATTERNS 16 (SINGLE COLOR) / 26 (DUAL COLOR)

LED COLOR OPTIONS RED, BLUE, AMBER, GREEN, WHITE, RED/WHITE, AMBER/WHITE

WARNING LIGHTS

GUARDIAN® JR TAIL LIGHT ASSEMBLY

PURPOSE-BUILT FOR EMERGENCY VEHICLES



KEY FEATURES

- Same industry-standard footprint and bolt patterns as legacy technology produced by other manufacturers
- DOT compliant tail light modes
- Can be purchased in kits or individual fixtures



2 Flash Patterns



7 Flash Patterns



On / Off

STOP/TAIL, TURN, BACKUP LIGHTS

The Guardian® Jr Stop/Tail, Turn, and Backup lights are an expansion of the Guardian series of fixtures. They can be purchased individually (Stop/Tail, Turn, or Backup), or can be purchased in kits with triple or quad tail light housings. These fixtures are an economical addition to your apparatus which allows you to choose all fixtures from one lighting manufacturer for your whole apparatus, all backed by the industry's first Advance Exchange Lifetime Warranty.

STOP/TAIL LIGHT | FT-TL-GSMJR-STT

DIMENSIONS	6.45" x 4.09" x 0.85"
AVG. WATTAGE	2.88W
MAX. WATTAGE	5.76W
AVG. AMPERAGE	0.24A @ 12V DC; 0.12A @ 24V DC
MAX. AMPERAGE	0.48A @ 12V DC ; 0.24A @ 24V DC
INPUT VOLTAGE DC	9-32V DC
CERTIFICATIONS	FMVSS-108; SAE J2040; SAE J2261; SAE J585; SAE J586; IP67 & IP69K

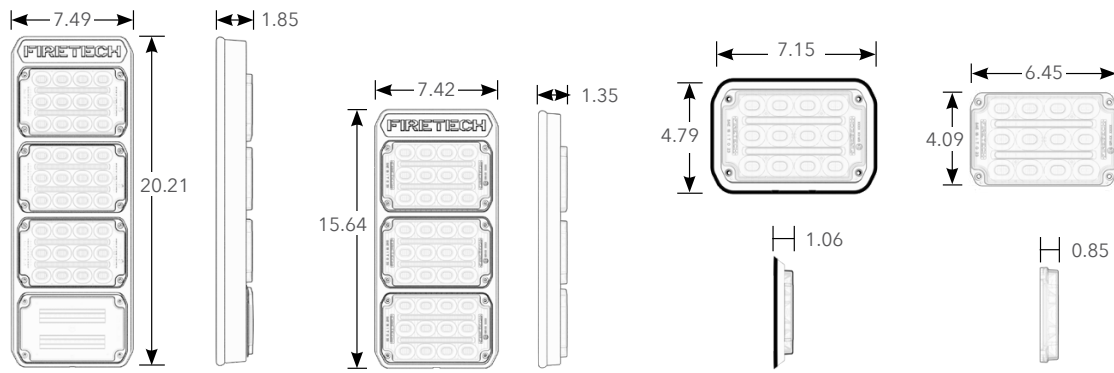
TURN LIGHT | FT-TL-GSMJR-TURN

DIMENSIONS	6.45" x 4.09" x 0.85"
AVG. WATTAGE	3.36W
MAX. WATTAGE	6.72W
AVG. AMPERAGE	0.28A @ 12V DC; 0.14A @ 24V DC
MAX. AMPERAGE	0.56A @ 12V DC; 0.28A @ 24V DC
INPUT VOLTAGE DC	9-32V DC
CERTIFICATIONS	FMVSS-108; SAE J2261; SAE J588; IP67 & IP69K

BACKUP LIGHT | FT-TL-GSMJR-BACKUP

DIMENSIONS	6.45" x 4.09" x 0.85"
MAX. WATTAGE	2.88W
MAX. AMPERAGE	0.24A @ 12V DC; 0.12A @ 24V DC
INPUT VOLTAGE DC	9-32V DC
CERTIFICATIONS	FMVSS-108; SAE J593; IP67 & IP69K

DIMENSIONS FOR QUAD, TRIPLE, SINGLE, & NO BEZEL ASSEMBLIES



MODELS

ITEM #	DESCRIPTION
FT-TL-GSMJR-STT	Guardian Jr Stop/Tail Light. Red Lens. Red LEDs. Dim Running Light, Bright Stop Light.
FT-TL-GSMJR-BACKUP	Guardian Jr Backup Light. Clear Lens. White LEDs. On/Off White Light.
FT-TL-GSMJR-TURN	Guardian Jr Turn Signal Light. Amber Lens. Amber LEDs. Arrow and Other Functions.
FT-TL-GSMJR-6KIT	Complete Set Of 2 Stop/Tail Lights, 2 Turn Lights, & 2 Backup Lights. Includes 6 Chrome Bezels.
FT-TL-GSMJR-TRIPLE-KIT	Complete Set Of 2 Triple Tail Light Housings. Includes Stop/Tail, Turn, & Backup Lights.
FT-TL-GSMJR-QUAD-KIT	Complete Set Of 2 Quad Tail Light Housings. Includes Stop/Tail, Turn, & Backup Lights.
FT-TL-GSMJR-QUAD-KIT-RED	Complete Set Of 2 Quad Tail Light Housings. Includes Stop/Tail, Turn, Backup, & Red Guardian Jr Warning Lights.
FT-TL-GSMJR-QUAD-KIT-AMBER	Complete Set Of 2 Quad Tail Light Housings. Includes Stop/Tail, Turn, Backup, & Amber Guardian Jr Warning Lights.
FT-TL-GSMJR-QUAD-KIT-BLUE	Complete Set Of 2 Quad Tail Light Housings. Includes Stop/Tail, Turn, Backup, & Blue Guardian Jr Warning Lights.
FT-TL-HVC-GSMJR-QUAD-KIT-RED	Complete Set Of 2 Quad Tail Light Housings. Includes Stop/Tail, Turn, Backup, & Red "Smart" Guardian Jr Warning Lights.
FT-TL-HVC-GSMJR-QUAD-KIT-AMBER	Complete Set Of 2 Quad Tail Light Housings. Includes Stop/Tail, Turn, Backup, & Amber "Smart" Guardian Jr Warning Lights.
FT-TL-HVC-GSMJR-QUAD-KIT-BLUE	Complete Set Of 2 Quad Tail Light Housings. Includes Stop/Tail, Turn, Backup, & Blue "Smart" Guardian Jr Warning Lights.
P-GSMJR-BEZEL	1 Chrome Bezel.
P-GSMJR-BEZELKIT	1 Chrome Bezel With Foam Perimeter Gasket & Mounting Hardware.
FT-TL-GSMJR-TRIPLE-HO	Individual Triple Bezel Kit With Foam Perimeter Gasket & Mounting Hardware.
FT-TL-GSMJR-QUAD-HO	Individual Quad Bezel Kit With Foam Perimeter Gasket & Mounting Hardware.
FT-TL-GSMJR-6KIT-B	2 Stop/Tail Lights, 2 Turn Lights, & 2 Backup Lights. Includes 6 Black Bezels.
FT-TL-GSMJR-TRIPLE-KIT-B	Complete Set Of 2 Triple Tail Light Black Housings. Includes Stop/Tail, Turn, & Backup Lights.
FT-TL-GSMJR-QUAD-KIT-B	Complete Set Of 2 Quad Tail Light Black Housings. Includes Stop/Tail, Turn, & Backup Lights.
FT-TL-GSMJR-QUAD-KIT-RED-B	Complete Set Of 2 Quad Tail Light Black Housings. Includes Stop/Tail, Turn, Backup, & Red Guardian Jr Warning Lights.
FT-TL-GSMJR-QUAD-KIT-AMBER-B	Complete Set Of 2 Quad Tail Light Black Housings. Includes Stop/Tail, Turn, Backup, & Amber Guardian Jr Warning Lights.
FT-TL-GSMJR-QUAD-KIT-BLUE-B	Complete Set Of 2 Quad Tail Light Black Housings. Includes Stop/Tail, Turn, Backup, & Blue Guardian Jr Warning Lights.
FT-TL-HVC-GSMJR-QUAD-KIT-RED-B	Complete Set Of 2 Quad Tail Light Black Housings. Includes Stop/Tail, Turn, Backup, & Red "Smart" Guardian Jr Warning Lights.
FT-TL-HVC-GSMJR-QUAD-KIT-AMBER-B	Complete Set Of 2 Quad Tail Light Black Housings. Includes Stop/Tail, Turn, Backup, & Amber "Smart" Guardian Jr Warning Lights.
FT-TL-HVC-GSMJR-QUAD-KIT-BLUE-B	Complete Set Of 2 Quad Tail Light Black Housings. Includes Stop/Tail, Turn, Backup, & Blue "Smart" Guardian Jr Warning Lights.
P-GSMJR-BOBEZEL	1 Guardian Jr Blackout Bezel.
P-GSMJR-BOBEZELKIT	1 Guardian Jr Blackout Bezel With Foam Perimeter Gasket & Mounting Hardware.
FT-TL-GSMJR-TRIPLE-HO-B	Individual "Triple" Bezel Kit. Foam Perimeter Gasket. Mounting Hardware. Black Housing Only. No Lights.
FT-TL-GSMJR-QUAD-HO-B	Individual "Quad" Bezel Kit. Foam Perimeter Gasket. Mounting Hardware. Black Housing Only. No Lights.
P-4X6-GSMJR-PLATE	Guardian Jr Headlight Area Mounting Bracket.

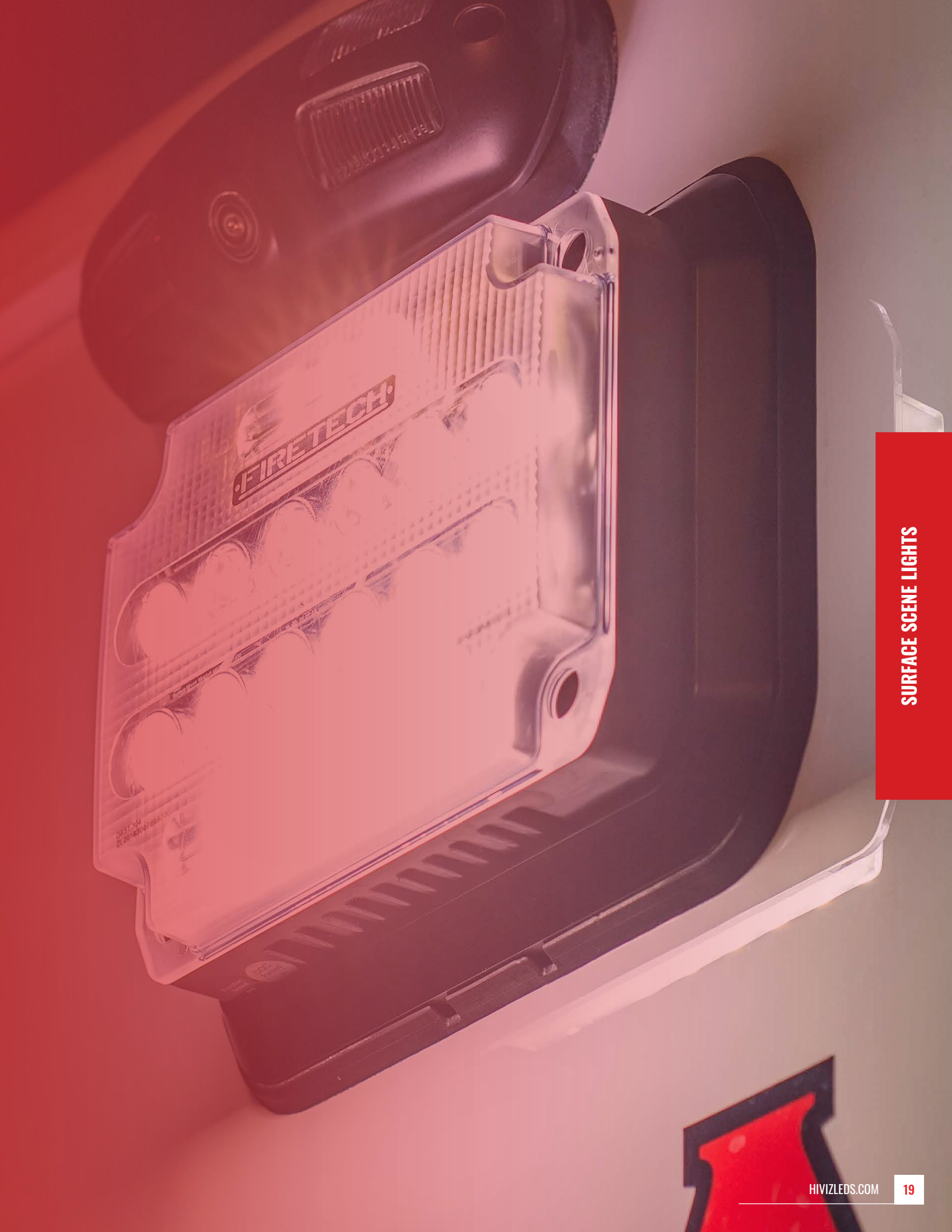
CHROME BEZEL PART NUMBERS & DESCRIPTIONS

BLACK BEZEL PART NUMBERS & DESCRIPTIONS

WARNING LIGHTS

SCENE LIGHTS





FIRETECH

285124
21201630478800

SURFACE SCENE LIGHTS



GUARDIAN® SERIES LIGHTS

SURFACE MOUNTED SCENE LIGHTS



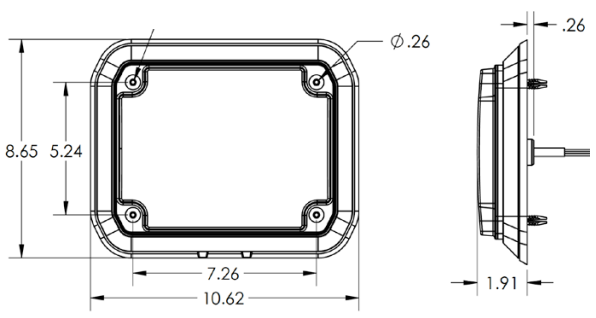
KEY FEATURES

- Costs like halogen, performs like led
- Traffic busting spot mode
- Comfortable asymmetric scene light mode
- Low profile, high output

FT-GVSM

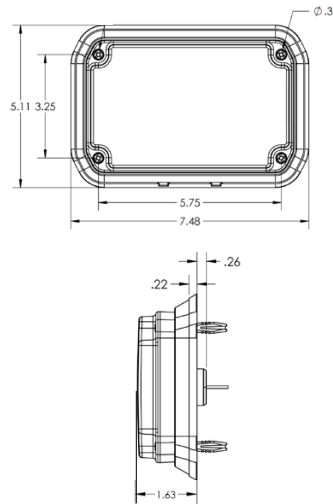
GUARDIAN VALUE LINE SCENE LIGHT MADE FOR AMBULANCES

The Guardian Value Line scene light is made specifically for EMS fleets who want the best, but are concerned about the cost of high-performance lighting. We use an extremely efficient 32-watt circuit design to give you more light where it counts, without the need for the large heat sink used in the full-sized Guardian and Guardian Elite products. This fixture is specifically designed for ambulances and features a “spot” circuit for finding address numbers, and a “scene” circuit that can be tied to door triggers or used during patient loading. You can fire both circuits up together for simple control and maximum visibility, and it all comes at a price that doesn't break the bank. This fixture couples perfectly with the FireTech® warning lights shown on pages 8-15!



GUARDIAN LC BASE OUTPUT FT-GVSM	
RAW LUMENS	5,700
EFFECTIVE LUMENS	3,380
HOUSING COLOR	BLACK
WATTAGE	24W SCENE : 8W SPOT
AMP DRAW (@12V)	2.66A
INPUT VOLTAGE DC	11-32V DC

DIMENSIONS FOR GUARDIAN JR



FT-GSMJR-*
*_OPT. BEZEL COLOR (B-BLACK)

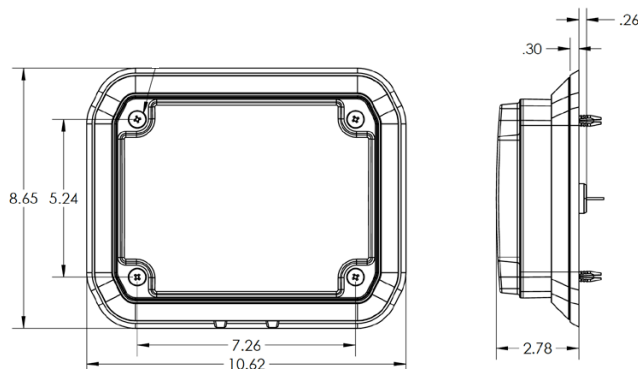
GUARDIAN JR | FT-GSMJR-*

DIMENSIONS	5.11" x 7.48" x 1.63"
RAW LUMENS	5,000
EFFECTIVE LUMENS	3,125
OPT. BEZEL COLOR	CHROME OR BLACK
WATTAGE	35W
AMP DRAW (@12V)	3.33A
INPUT VOLTAGE DC	9-32V DC

DIMENSIONS FOR GUARDIAN® AND GUARDIAN ELITE



FT-GSM-* & FT-GESM-*
*_OPT. BEZEL COLOR (B-BLACK)



GUARDIAN | STANDARD OUTPUT | FT-GSM-*

DIMENSIONS	8.65" x 10.62" x 2.78"
RAW LUMENS	10,000
EFFECTIVE LUMENS	6,500
OPT. BEZEL COLOR	CHROME OR BLACK
WATTAGE	75W
AMP DRAW (@12V)	5.83A
INPUT VOLTAGE DC	9-32V DC

GUARDIAN ELITE | HIGH OUTPUT | FT-GESM-*

DIMENSIONS	8.65" x 10.62" x 2.78"
RAW LUMENS	20,500
EFFECTIVE LUMENS	12,290
OPT. BEZEL COLOR	CHROME OR BLACK
WATTAGE	120W
AMP DRAW (@12V)	10.41A
INPUT VOLTAGE DC	9-32V DC

SURFACE SCENE LIGHTS

GVSM/GSM/GESM OPTIONAL ACCESSORIES



RETROFIT GASKET

ADD -RGKIT TO THE END OF P/N

For replacing legacy fixtures that had a different sized cutout/bolt pattern. Covers old or oversized holes in the apparatus body.



BEZEL DELETE GASKET

ADD -BDKIT TO THE END OF P/N

Allows for the installation of full size Guardian without the chrome bezel for a reduced mounting profile.

INTERIOR & UNDERCARRIAGE LIGHTS





INTERIOR & UNDERCARRIAGE LIGHTS

INTERIOR & UNDERCARRIAGE LIGHTS

DURABLE AND COMPACT LIGHTS



FT-IDL-8RD-W

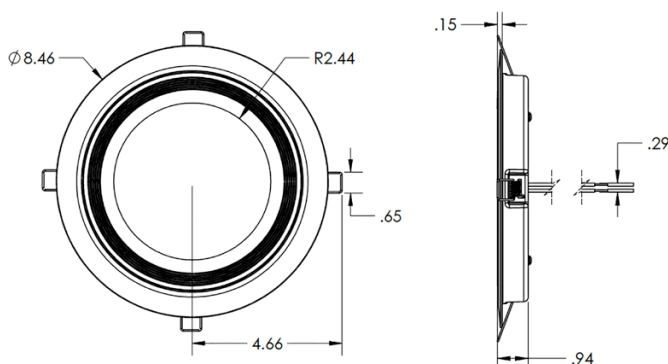
KEY FEATURES

- Spring-clips for easy installation
- Diffused lens for optimal light distribution
- Low and high power output modes

8" ROUND INTERIOR DOME LIGHT

The back of the ambulance is where the action happens – where paramedics and other first responders put their training to work to help their patients. It's critical that the dome lights make it easy for the crew to see what they're doing.

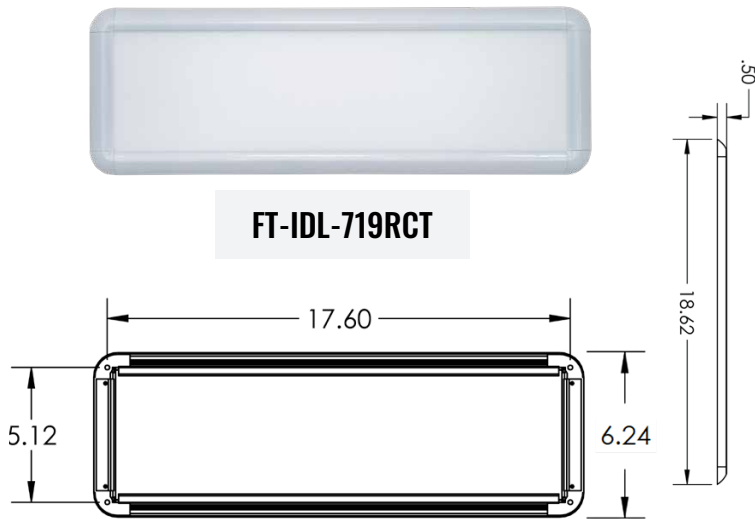
We chose a higher color temperature and color rendering index than most, helping you see subtle differences in colors so you can access veins faster. These fixtures also use a highly diffused lens to distribute light all around the inside of the patient module. Lastly, the FireTech® dome light is easy to install with spring-clips, which makes both mounting and future service needs easy.



8" ROUND DOME LIGHT

RAW LUMENS	HIGH - 2,310; LOW - 895
EFFECTIVE LUMENS	HIGH - 1,373; LOW - 532
DIMENSIONS	8.5" x .94"
WEIGHT	.8 LBS.
BEZEL	WHITE
AMP (@12VDC)	1.5A
WATTS	HIGH - 19.3W; LOW - 7.5W
INPUT VOLTAGE DC	12V DC
LED COLOR	WHITE
CERTIFICATIONS	ECE R10: AMD 016

7X19" DOME LIGHT | FT-IDL-719RCT



FT-IDL-719RCT

KEY FEATURES

- Side-firing leds eliminate single focal point
- Diffused lens for optimal light distribution

7X19" DOME LIGHT

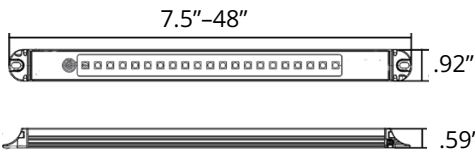
LUMENS (RAW EFFECTIVE)	1,300 772
INPUT VOLTAGE DC	10-30V DC
AMP DRAW	1.0A @12V DC
WATTS	12W
CERTIFICATIONS	ECE R10; AMD 016
IP RATING	IPX4

HD STRIP COMPARTMENT LIGHT | FT-CU-HD-**-*



FT-CU-HD**-*

- **-LENGTH OF STRIP (7.5, 12, 24, 36, 48)
- *-LED COLOR OPTIONS (RW, RED, BLUE, GREEN, WHITE)

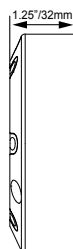
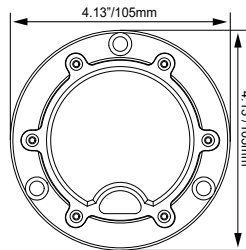


- 7.5" **FT-CU-HD7.5-*** | 9 LEDS | 71 EFFECTIVE LM
- 12" **FT-CU-HD12-*** | 21 LEDS | 207 EFFECTIVE LM
- 24" **FT-CU-HD24-*** | 48 LEDS | 379 EFFECTIVE LM
- 36" **FT-CU-HD36-*** | 75 LEDS | 686 EFFECTIVE LM
- 48" **FT-CU-HD48-*** | 96 LEDS | 743 EFFECTIVE LM

INTERIOR & UNDERCARRIAGE LIGHTS

SUB-AQUA UNDERCARRIAGE LIGHT | FT-CU-AQX**-*

SUBMERSIBLE UP TO 100'



FT-CU-AQX**-*

- **- OPT. RW LEDS (RW-RED/WHITE),
- *-HOUSING COLOR (B-BLACK, W-WHITE)

SUB-AQUA UNDERCARRIAGE LIGHT

RAW LUMENS	1,500
EFFECTIVE LUMENS	1,050
OPT. HOUSING COLORS	BLACK OR WHITE
OPT. LIGHT COLORS	RED/WHITE OR ALL WHITE
WATTAGE	22W
AMP DRAW (@12V)	1.833A
INPUT VOLTAGE DC	9-32V DC

Available with Red/White LEDs: FT-CU-AQX-RW-*
Order P/N FT-CU-AQX-*KIT for light + mounting bracket
Blue and Green LED options are available through special order

BAR STYLE FIXTURES





FT-1330W



BAR STYLE FIXTURES



BROW LIGHTS

46"-50" LOW-PROFILE LIGHT FIXTURES



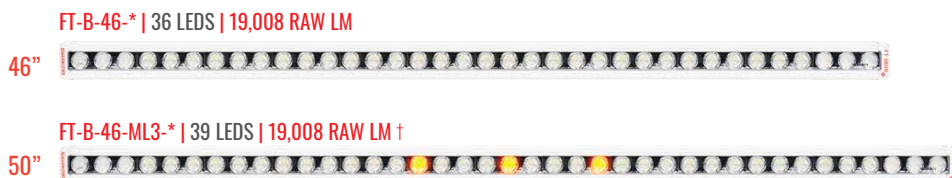
KEY FEATURES

- Optional marker lights
- Adjustable mounting brackets along body
- All aluminum construction

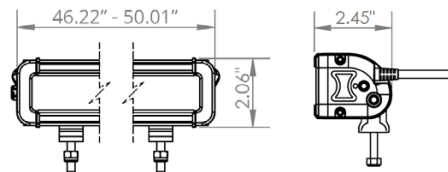
DESIGNED FOR EMERGENCY MEDICAL SERVICES

Our brow light and MiniBrow® scene lights are designed by first responders for other first responders. That means that we're acutely aware of what you need from your lights and how to best provide it in a package that can fit on many different styles of apparatus. We know that you don't need to worry about whether your scene light will work in an emergency, but only need to worry about the illumination necessary to do your job. That's why the FireTech® brow and MiniBrow series are backed by the industry's leading Advance Exchange Lifetime Warranty. It's shallow mounting depth and low-profile design allow the FireTech bar-style fixtures to provide powerful light output while integrating neatly into the lines of your ambulance cab and body.

MODELS



DIMENSIONS



ITEM #	LENGTH	WATTS	AMP DRAW @12V DC	CIRCUITS	MARKER LIGHTS
FT-B-46-*	46.22"	180	14.1	3	0
FT-B-46-ML3-* †	50.01"	189	14.8	4	3

* - Housing color options: "B" - Black, "W" - White

† - Special build item with an MOQ of 20 or a 10% short run surcharge



VIGILANT

SINGLE STACK MINIBROW®

9"-35" MINIBROW SCENE LIGHTS



KEY FEATURES

- Ultra low-profile design
- Configurable optics
- Adjustable mounting rail

MODELS

9" **FT-MB-6-FT-*** | 6 LEDs | 3,168 RAW LM†
 †FLOOD AND COMBINATION OPTICS AVAILABLE BY REQUEST

12" **FT-MB-9-FT-*** | 9 LEDs | 4,752 RAW LM
 COMBINATION AND SPOT OPTICS AVAILABLE STANDARD
 †FLOOD OPTICS AVAILABLE BY REQUEST

27" **FT-MB-21-FT-*** | 21 LEDs | 11,088 RAW LM
 †FLOOD OPTICS AVAILABLE BY REQUEST

35" **FT-MB-27-FT-*** | 27 LEDs | 14,256 RAW LM
 COMBINATION AND FLOOD OPTICS AVAILABLE STANDARD

FT-MB-9-LP-E-B
 LICENSE PLATE BRACKET
 WITH FT-MB-9-B

THREE PIECE MINIBROW OPTION (AS SEEN ABOVE)

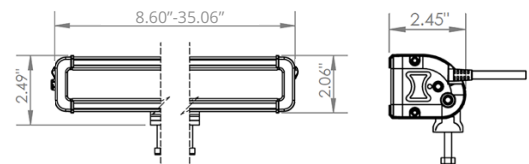
Some ambulances include an A/C condenser above the cab and there are a limited number of fixtures which fit cleanly on the cab and do not waste light on the roof of the apparatus. With the FireTech MiniBrow light system, you can light both the area directly in front of the vehicle, as well as the areas 45 degrees out from the operator's position. Mounting 2x MiniBrows on the sides of the condenser gives superior lighting when looking for addresses, wrecks, or any other night-time incident. We recommend combining Spot and Flood optics to ensure no area of the scene is left in the dark.

WHAT TO ORDER:

- FT-MB-27-FT-*** (Quantity 1)
- FT-MB-9-F-*** (Quantity 2)

ITEM #	LENGTH	WATTS	AMP DRAW @12V DC
FT-MB-6-FT-*	8.60"	30	2.3
FT-MB-6-F-*	8.60"	30	2.3
FT-MB-9-FT-*	12.38"	45	3.5
FT-MB-9-S-*	12.38"	45	3.5
FT-MB-9-F-*	12.38"	45	3.5
FT-MB-21-FT-*	27.50"	105	8.2
FT-MB-27-FT-*	35.06"	135	10.5
FT-MB-27-F-*	35.06"	135	10.5

** - "S" = Spot Optics, "F" = Flood Optics, "FT" = Combination Optics
 * - Housing color options: "B" - Black, "W" - White
 † - Special build item with an MOQ of 20 or a 10% short run surcharge



BAR STYLE FIXTURES

VIOLET





VIOLET

NEW VIOLET UV-C GERMICIDAL IRRADIATION SYSTEM



A DECONTAMINATION SYSTEM THAT WORKS AS HARD AS THE PEOPLE IT PROTECTS

The pandemic caused many EMS agencies to explore ways to decontaminate the back of their vehicles, and many home-brewed solutions were conceptualized during the initial phases of response. The market has been demanding a smart germicidal lighting UV-C decontamination system that was both robust and customizable. We listened earnestly, and are ready to deliver.

Introducing Violet: the world's first purpose-built LED UV-C Germicidal Irradiation System designed specifically for the back of an ambulance, with the same Advance Exchange Lifetime Warranty that all FireTech products offer.*

Violet is an automatic UV-C Germicidal Irradiation System that runs in the background to irradiate an unoccupied patient compartment while your crew continue to do their work elsewhere. The system will automatically run for a predetermined length of time while monitoring a variety of sensors to ensure the area is unoccupied. Violet will audibly announce when decontamination is beginning, when it is operating, and when it is complete.

Our system is built around Violet Emitters, which are a series of surface-mounted UV-C LED light fixtures connected to a smart central brain panel called the Violet User Interface Panel. The Violet Emitters are designed to be installed inside the patient compartment and emit high output UV-C light on the surfaces inside the back of the ambulance. The system operates automatically before and after each call, logging its operations to a memory card that may be downloaded and correlated against patient care records for record keeping between patients, if desired.

Unlike aerosolized systems, if the ambulance is needed for a call, Violet may be interrupted and stopped immediately. The decontamination process will halt upon detection of vehicle occupancy via door and seatbelt triggers or motion within the vehicle.

* Calculated dose and effectiveness of germicidal irradiation systems must be evaluated by the purchasing agency. HiViz makes no claim to the specific effect of UV-C Germicidal light in any application, and agencies are encouraged to seek qualified council when evaluating decontamination or UV-C systems for use in ambulances.

ONE VIOLET SYSTEM / KIT INCLUDES:



(1) VIOLET USER INTERFACE PANEL

The Violet User Interface Panel serves as the central brain of the system and includes all the software and programming required to make the system function. The user-facing portion of the panel includes an OLED display, an emergency stop button, a manual decon button, and four programming function buttons integrated into the "FireTech" logo to help you navigate the system. Additionally, there are two separate indicator lights that specify when the system is "IN USE" and when the system is "COMPLETE".



(1) OCCUPANCY SENSOR

The Occupancy Sensor is the minimum required input trigger within the Violet UV-C Germicidal Irradiation System. It uses a combination of passive infrared (PIR) and ultrasonic motion sensing to detect if your ambulance is occupied. This sensor must be present and in view of all areas where a person might be in the emission area of the Violet Emitters. The Occupancy Sensor is powered by the Violet User Interface Panel and draws 0.88 watts.



(6) VIOLET EMITTERS

The Violet Emitter releases the germicidal UV-C light within the patient compartment and is designed to be surface-mounted to the ambulance ceiling that is equipped with the Violet UV-C Germicidal Irradiation System. The emitters are the backbone of the system, containing 8x Luminus XST-3535-UV LEDs which emit 275-286nm wavelengths. The power draw of each Violet Emitter is approximately 25 watts, and it operates from 9 - 32V DC. A max of eight emitters are allowed per system, with a minimum of two required for installation on your ambulance.



VIOLET

MODELS

ITEM PART #	DESCRIPTION
HV-VIOLET-6KIT	Violet UVGI System: 6 Violet Emitters, 1 Occupancy Sensor, 1 Violet User Interface Panel.
HV-VIOLET-AQX	(1) Violet UV-C Emitter.

INFO ABOUT UVGI DEVICES

This device is Made in the USA by HiViz Lighting, Inc.
EPA Establishment Number 102746-NC-1

CHECK US OUT ON YOUTUBE

BROKEN ARROW AMBULANCE FT. FIRETECH LIGHTS



AMBULANCE TOUR



DARE COUNTY AMBULANCE





TELLING THE STORIES OF FIRST RESPONDER OWNED BUSINESSES

A typical first responder shift: 24 hours on, 48 hours off. This schedule has sparked the entrepreneurial spirit of many, fueling the growth of new businesses small and large. We're here to tell those stories.



THE2448.COM



HIVIZ LIGHTING, INC.



149 Twin Springs Road
Hendersonville, NC 28792



P: (703) 662-3458



firetech@hivizleds.com
hivizleds.com

FOLLOW US @HIVIZLEDLIGHTING



COPYRIGHT © 2024 HIVIZ LIGHTING, INC.