

FIRETECH[®]

BY HUVIZ LED LIGHTING

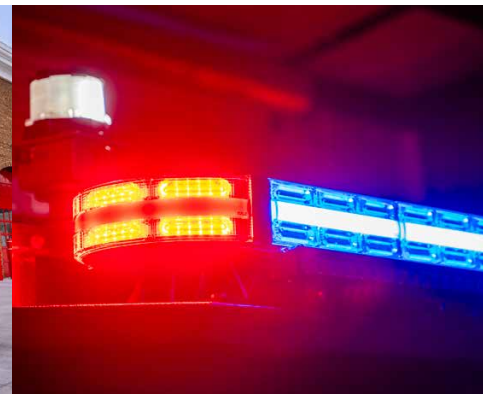


TABLE OF CONTENTS



4

INTRODUCTION TO FIRETECH®



10

WARNING LIGHTS

- HiViz Connect™ (HVC)
- HVC OMEN™ Warning Lightbar
- HVC Guardian® Warning Lights
- Guardian G-Series Warning Lights



24

DOT LIGHTS

- 4x6" Headlights
- 5.75" Round Headlights
- 7" Round Headlights
- Guardian® Jr Tail Lights



32

BAR-STYLE FIXTURES

- BG2 Smart (BG2S) Lights
- BG2S User Interface Panel
- Brow Lights
- MiniBrow® Lights
- Mounting Accessories



44

SURFACE & RECESSED SCENE LIGHTS

- Guardian Series Scene Lights
- Recessed/Semi-Recessed Lights
- Under-Aerial Lights



50

COMPARTMENT & UNDERCARRIAGE LIGHTS

HD Strip Lights
Undercarriage Lights
Dome Lights



54

LIGHT TOWERS

Command Light Tower Lighting
Will-Burt Tower Lighting



58

POLE LIGHTS

20,000 Raw Lumen LED Scene Light
Guardian Pole Mounted Light



62

WORK LIGHTS

Work Xtreme Series Lights
Work & Area Lights



68

SPECIALTY LIGHTS

Pixel Ladder Lights
Laser Cannon Lights



74

SOFTWARE & LIGHTING ACCESSORIES

Field Support Tool



ABOUT THE FIRETECH[®] BRAND

BY HIVIZ LED LIGHTING[®]

WE HELP FIRST RESPONDERS WORK MORE SAFELY AND EFFECTIVELY AFTER DARK, **SO THEY CAN SAVE LIVES.**

We do this by providing reliable lighting technologies for emergency vehicles. Our team is dedicated to developing the most innovative, durable, and high performance lighting products on the market.



MORE LIGHT

With the highest luminous efficacy on the market, our fixtures produce more lumens per watt than others on the market. That means more light where you need it, every single time.



BETTER LIFETIME WARRANTY

Our fixtures are built to last. Therefore, HiViz is proud to offer a lifetime warranty with advance exchange on all FireTech products. Advance exchange means that we ship you a new fixture first and then you send us the old one back after the swap. We can't promise that you'll never have a problem, but we can promise that we'll take care of it if you do.



SAME COST

Lumen for lumen, HiViz fixtures beat the competition in both performance and price. What does this mean? You get the light output you deserve at a price point you can afford.



DEVELOPED BY FIRST RESPONDERS

We've responded to roadside emergencies in the middle of the night, so we know the challenges that you face. Our team is comprised of first responders and we take our real world knowledge into account when designing and engineering our products.



LIGHTING QUALITY AS A PRIORITY



INGRESS PROTECTION

Products are sprayed from close distances with 80~100 bar water pressure to verify the ingress protection rating, ensuring they are sealed properly.



SUBMERSION & AGING

Every light is run through a submersion (water dunk) test, then placed onto an aging rack and powered up for 30 minutes.



THERMAL IMPACT

Products are placed in a -40°C chamber for 30 minutes and then placed in an 80°C chamber for an additional 30 minutes. Products are then powered up for 72 hours.



LONG TERM DURABILITY

Products are switched on and off 150,000 times repeatedly to ensure they remain functional after all testing.



CONSUMPTION & INPUT RANGE

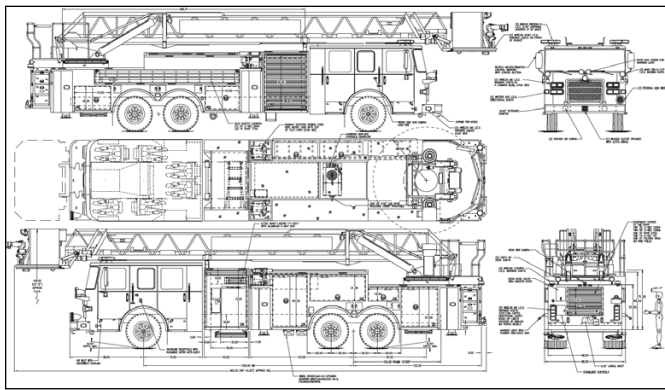
All products are tested with a digital power meter to ensure they are consuming the correct amount of power and have no electrical faults.



CUSTOM LIGHTING SPEC

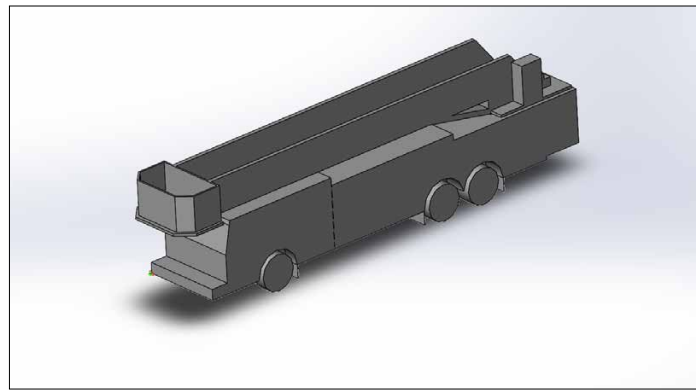
WE'LL CREATE PERSONALIZED RECOMMENDATIONS SPECIFIC TO YOUR APPARATUS

WHAT TO EXPECT:



2D BLUE PRINT

We begin each project with a customer/dealer-provided drawing of the rig to be outfitted, as well as a quick conversation with the customer on the duties of the particular rig and the response district.



3D MODEL

A 3D model is built using the customer's specifications then carried over into the rendering engine.

Rear Scene Lighting

The grid points in the heat-map rendering are set at 10-foot increments. The fixture provides above 1 lux on the ground around 80' to the rear of the apparatus.

Recommendation: The FT-65MMR, also known as the Guardian Junior, is a surface-mounted light with the same design characteristics as the Guardian Elites on the side of the cab. I included the photos above to show two of these placed in the same location as we are recommending on the rear of your truck. By using these fixtures, the department is avoiding the light being placed right in the line of sight when pulling ladders.

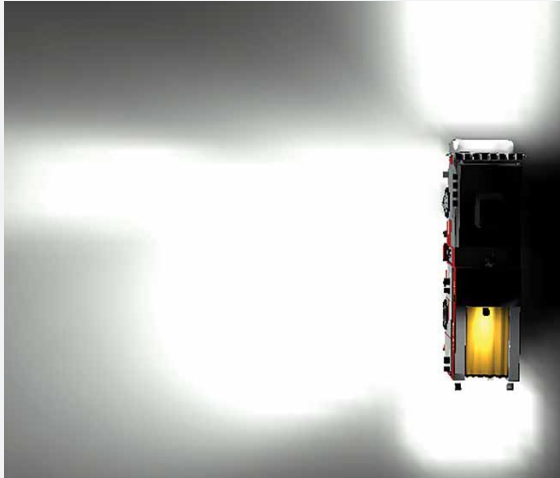
- FT-65-15-FT***
FireTech 30 LED extreme durability scene light, 28,000 lumens, FT combination spot/flood optics that double well as a strobe light, for mounting on the front of the bucket. Lifetime Warranty.
- FT-65-401T**
FireTech 4x4 LED Headlights. Lifetime Warranty.
- FT-65MM**
Guardian Elite surface mounted light. Asymmetric beam pattern. 20,500 lumens. Lifetime Warranty.
- FT-65-2-27-E***
FireTech Mini Strobe light with two rows of LEDs, 54 LEDs in total, 28,512 lumens. 30-Inches. Recommended all-flood optics for the side of the body for lighting a broad area around the rig. Lifetime Warranty.
- FT-65MMR**
FireTech Guardian Jr. surface-mounted scene light, 5,000 lumens each. Lifetime Warranty.
- FT-65-8-B-F* CPRE-FIX**
FireTech 8 LED extreme work light, 12V, 7,200 lumens. Symmetrical flood beam pattern recommended. Recommended mounting on the bottom of the platform. Lifetime Warranty.
- FT-65-8-S***
8 LED extreme work light, 7,200 lumens. Symmetrical beam pattern. Spot optics for aerial spotting lights. Lifetime Warranty.
- FT-CL-40-40-T**
Six-Axis Undermountage Light, Wide Flood Optics. P/N: 8 & 40. Lifetime Warranty. **Mid/White fixtures also available.
- FT-CL-40***
** Heavy Duty Compartment Light (Sho as needed based on P/N) Lengths include 7.5", 12", 24", 36", 48" and the number is in place of the Lifetime Warranty.

SIMULATION RENDER

A simulation rendering ensures the final product will meet the customer's lighting requirements, as well as any applicable agency standards.

CUSTOM SOLUTION

We create a complete breakdown of the customer's specific needs to meet their safety requirements.



REALISTIC AND ACCURATE LIGHTING SPEC

Spec'ing a new rig and don't know where to begin? Send your drawing to have our team recommend a layout! This service doesn't cost anything and it's a great way for you to ensure efficient and thoughtful placement of scene lights around your rig!

Our team can typically produce a detailed rendering within five to ten business days, if provided proper vehicle specifications.

GET YOUR CUSTOM LIGHTING SPEC

Fill out this worksheet and text a picture of it to **(703) 662-3458** or email it to **firetech@hivizleds.com** and we'll send you your custom fit out guide.

NAME OF FIRE DEPARTMENT: _____

TYPE OF FIRE DEPARTMENT (CAREER OR VOLUNTEER): _____

BUDGET: WE'RE ON A TIGHT BUDGET BALANCE PERFORMANCE AND COST WE NEED INSANE AMOUNTS OF LIGHT

DESIGN GOALS/NOTES: _____

TYPE OF TRUCK (RESCUE, PUMPER, ETC): _____

BRAND OF TRUCK: _____

RURAL OR CITY: _____

LONG SETBACKS: YES NO

LIGHT TOWER IN FLEET: YES NO

EMAIL: _____

PHONE: _____



VISIT OUR WEBSITE OR SCAN TO REQUEST
A **CUSTOM LIGHTING SPEC**



BLACKOUT LED LIGHTS

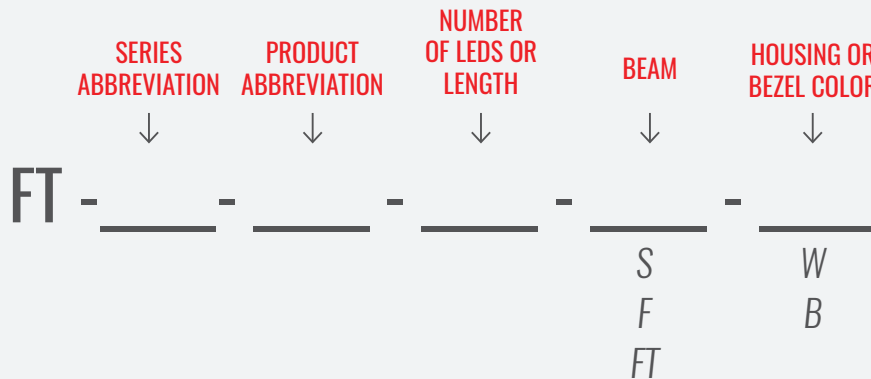
We've all seen the trend...fully blacked out fire apparatus are here to stay! The FireTech® brand has a large selection of blackout fixtures specifically designed for these applications!



-  FIRETECH 4X6 HEADLIGHTS | PG. 27
-  FIRETECH BROW LIGHTS | PG. 39
-  GUARDIAN® SCENE LIGHT | PG. 47
-  GUARDIAN JR SCENE LIGHT | PG. 47

HOW TO CONFIGURE YOUR PART NUMBER*

PART NUMBER BREAKDOWN



SERIES ABBREVIATIONS

- HVC** *HIVIZ CONNECT™ SMART SERIES*
- IDL** *INTERIOR DOME LIGHTS*
- WL** *WORK & AREA LIGHTS*
- CU** *COMPARTMENT & UNDERCARRIAGE SERIES*
- SL** *SCENE LIGHT*
- TL** *TAIL LIGHT*

PRODUCT ABBREVIATIONS

- OMEN** *OMEN™ WARNING LIGHTBAR*
- GESM** *GUARDIAN™ ELITE*
- GSM** *GUARDIAN*
- GSMJR** *GUARDIAN JR.*
- BG2S** *BG2 SMART*
- B** *BROW LIGHT*
- MB** *MINIBROW®*
- SL** *POLE MOUNTED*
- X** *WORK LIGHT XTREME*
- HD** *COMPARTMENT LIGHT*
- AQX** *UNDERCARRIAGE LIGHT*
- 8RD** *8" ROUND DOME LIGHT*
- 719RCT** *7X19" DOME LIGHT*
- PXL** *PIXEL LIGHT*




NUMBER OF LEDS OR LENGTH

Number will vary depending on product; please see individual product page or visit our website to select which size or LED amount is right for you.

HOUSING / BEZEL COLOR OPTIONS

- W=WHITE**  (HOUSING ONLY)
- OR
- B=BLACK** 
- OR
- BLANK=CHROME**  (BEZEL ONLY)

AVAILABLE BEAM PATTERNS

-  **S=SPOT**
LONG DISTANCE
-  **F=FLOOD**
AMPLE COVERAGE
-  **FT=FIREFTECH OPTICS**
BEST OF BOTH

EXAMPLE OF CONFIGURED PART NUMBER

FT-HVC-OMEN-72

(HIVIZ CONNECT - OMEN WARNING LIGHTBAR - 72")

* Not all products have each of these options available. For more details please refer to the individual product page or our website to configure your exact part number.

WARNING LIGHTS





WARNING LIGHTS

HIVIZLEDS.COM

HUMMER

HUMMER H1



HARDWARE NOW **SOFTWARE OVER AND OVER**

In a manufacturing environment where long backlogs and lengthy production lead times are the new norm, choosing a lighting system that can be updated over time helps to ensure you don't miss out.

HiViz Connect™ is the communication protocol that enables smart features in our new HVC Warning Lights. With HiViz Connect, our hardware products become virtually future-proof: feature enhancements and updates can be downloaded and sent to your warning lights without ever having to take them off the truck. We took our inspiration from some of the most forward-thinking car manufacturers in the tech space, and have designed a feature set that becomes exponentially advanced with time. What is the best part? There's no expensive central brain box. It's all built into the fixtures and does not require a secondary electrical system to be installed on your apparatus.

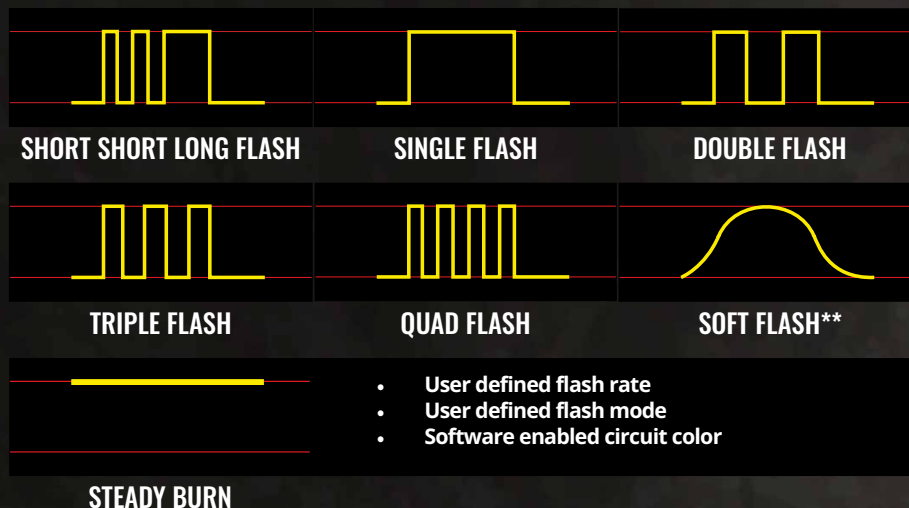
The ability to update the software wirelessly will allow us to roll out updates keeping your truck up-to-date. With HiViz Connect, you can spec FireTech® today and receive the latest features the day your truck is ready to ship.

HiViz **CONNECT™**



ADVANCED FLASH PATTERN PROGRAMMING

HiViz Connect™ enables features like dimming, ramping, and virtually unlimited flexibility in flash pattern selection.



MULTI-VEHICLE SYNCHRONIZATION*

Quickly becoming a requirement in many regions, stay on top of new safety regulations with synchronizing flash patterns and rates across vehicles.



ACTIVE LOAD MANAGEMENT

Firefighters should never have to work in the dark. Active load management ensures the scene and warning light fixtures never consume more power than the alternator has the capability to produce. This allows for the lights to be dimmed rather than just switched off if electrical system capacity is exceeded.



AUTOMATIC SYSTEM-WIDE NIGHT MODE

Night modes have been recognized in NFPA 1900 as a possible way to reduce chaos and calm the emergency scene. HiViz Connect-enabled products automatically enter night mode, slowing the flash rate and reducing intensity for the entire system with no user input required.



INTEGRATED DIGITAL ALERTING*+

By transmitting data in to the HAAS Alert Safety Cloud®, millions of motorists have the ability to receive a digital notification when you are responding on scene. This makes the roads safer for everyone.

* Feature to be released in future software updates

**All Soft Flash patterns include an interval where the light emission turns completely off
+Requires active HAAS Alert subscription and optional hardware package (included with most new apparatus at no cost)



OMEN™ WARNING LIGHTBARS

24"-84" HIVIZ CONNECT™ CONFIGURED WARNING LIGHT FIXTURES

OMEN™

KEY FEATURES

- Four primary operational modes: responding day, responding night, on-scene day, and on-scene night
- Automatic night modes: apparatus-wide night mode eliminates the need to individually program fixtures
- Every color, every time: every FireTech® OMEN lightbar comes fully populated with red, green, blue, amber, and white LEDs in the middle row
- One part number per size: gone are the days of crazy part numbers, just choose your lightbar length and that's it
- App-configurable: lightbar will be configurable via phone app*

* Coming soon for Android and iOS



THE OMEN WARNING LIGHTBAR

Every FireTech OMEN lightbar comes fully populated with every color in the middle row. This reduces complexity and eliminates the need for you to spend time in a configurator prior to spec'ing your apparatus. Choose your length, mounting location, and whether or not you want to add a FireTech brow light then let the truck manufacturer do their thing. No need for spare modules and internal parts of warning lightbars. With the OMEN, you can focus on the job at hand.





OMEN™ WARNING LIGHTBAR MODELS

24" FT-HVC-OMEN-24 | 1 MODULES | 3 ILLUMINATED SIDES*



36" FT-HVC-OMEN-36 | 2 MODULES | 3 ILLUMINATED SIDES*



48" FT-HVC-OMEN-48 | 3 MODULES | 3 ILLUMINATED SIDES*



60" FT-HVC-OMEN-60 | 4 MODULES | 3 ILLUMINATED SIDES*



72" FT-HVC-OMEN-72 | 5 MODULES | 3 ILLUMINATED SIDES*



84" FT-HVC-OMEN-84 | 6 MODULES | 3 ILLUMINATED SIDES*



HiViz
CONNECT™

* These standard options come with lights on three sides of the fixture, lights on all four sides of the fixture are available via special request.

BEACON/HALF BEACON LIGHT MODELS

12" FT-HVC-OMEN-12 | MICRO-SIZED BAR / BEACON | 360 DEGREE ILLUMINATION

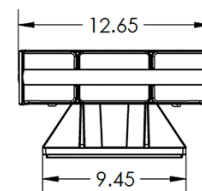
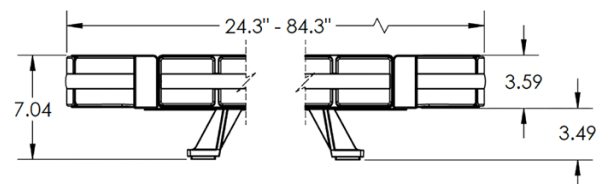


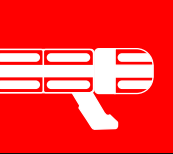
6" FT-HVC-OMEN-6 | HALF BEACON | 180 DEGREE ILLUMINATION



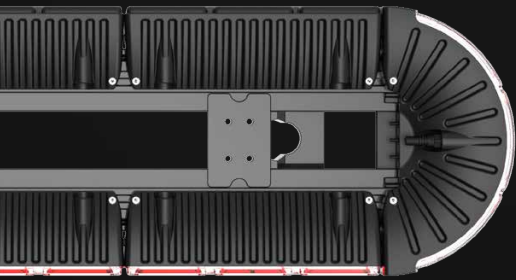
ITEM #	DESCRIPTION
FT-HVC-OMEN-24	24" OMEN Minibar, Red LEDs, RGBAW Center Row, HiViz Connect Enabled. 3 Illuminated Sides.
FT-HVC-OMEN-36	36" OMEN Lightbar, Red LEDs, RGBAW Center Row, HiViz Connect Enabled. 3 Illuminated Sides.
FT-HVC-OMEN-48	48" OMEN Lightbar, Red LEDs, RGBAW Center Row, HiViz Connect Enabled. 3 Illuminated Sides.
FT-HVC-OMEN-60	60" OMEN Lightbar, Red LEDs, RGBAW Center Row, HiViz Connect Enabled. 3 Illuminated Sides.
FT-HVC-OMEN-72	72" OMEN Lightbar, Red LEDs, RGBAW Center Row, HiViz Connect Enabled. 3 Illuminated Sides.
FT-HVC-OMEN-84	84" OMEN Lightbar, Red LEDs, RGBAW Center Row, HiViz Connect Enabled. 3 Illuminated Sides.
FT-HVC-OMEN-12	12" OMEN Beacon, Red LEDs, RGBAW Center Row, HiViz Connect Enabled. 360 Degree Illumination.
FT-HVC-OMEN-6	6" OMEN Half Beacon, Red LEDs, RGBAW Center Row, HiViz Connect Enabled. 180 Degree Illumination.

DIMENSIONS





OMEN



ALL NEW DESIGN & NEW FEATURES

In 2024, there's no need to have access to the internal central brain of a lightbar. In fact, with the OMEN™, there is no center at all. Rotators and giant pieces of plastic are a thing of the past. Unlike older lightbar designs, it's impossible for the center of the FireTech® OMEN Lightbar to fill with water - it's like a bucket without a bottom. It was designed with a modern exoskeleton and multi-color modules to give the ultimate flexibility while maintaining a super simple design.

SAY GOODBYE TO MOISTURE ISSUES

Moisture problems? Not with the FireTech OMEN! Moisture is one of the two main killers of lighting products on fire apparatus. Like all FireTech fixtures, mechanically affixed venting mechanisms allow our factory sealed housings to breathe and remain at a neutral pressure.



MODULAR DESIGN

The traditional 1980's lightbar design focused on serviceability of internal components. We stepped away from that, building from the ground up to create the first truly modular design using maintenance-free semiconductor tech. With our design, you can configure or replace any size traditional lightbar with the FireTech OMEN. If you damage the bar, the modular design also allows you to replace a module rather than the whole fixture - reducing cost and the need for spare parts.



OMEN™

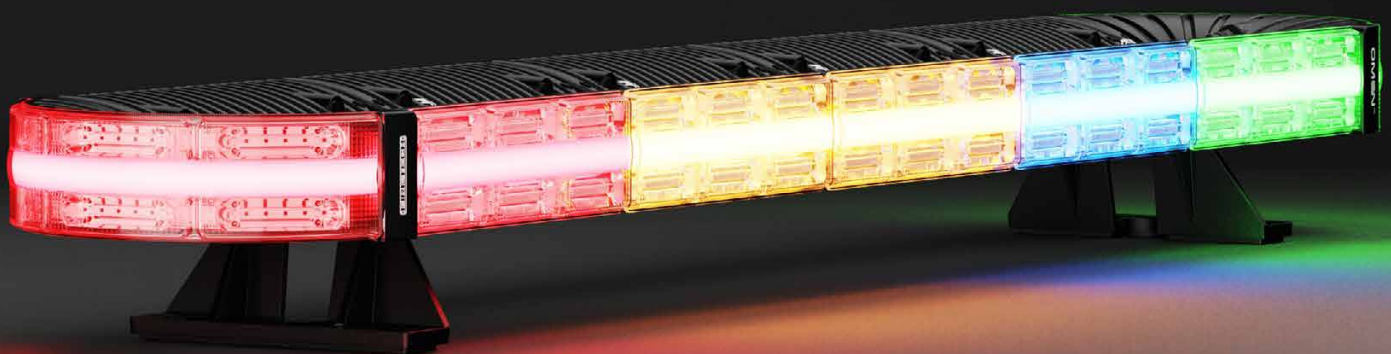
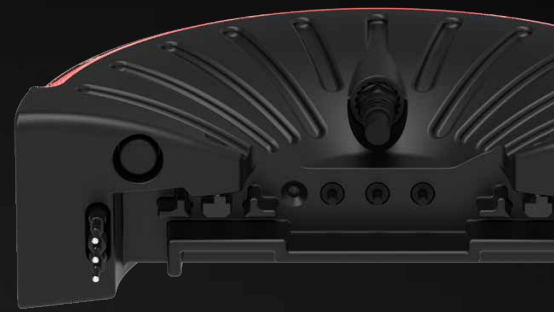


COMMAND ON DEMAND™

Command On Demand functionality turns your lightbar and any fixtures with green LEDs on the apparatus to a steady burning green at the press of a button!

AUTOMATIC NIGHT MODE

Night modes are a hot topic in the fire service today. The OMEN™ Warning Lightbar uses two strategically placed optical sensors to calculate proper intensity. Redundant sensors compare data to prevent false positives and provide more reliable day/night mode selection. What is the best part? The mode setting is global to all fixtures connected to the system, so no need to program fixtures day/night modes individually!



WATER LEVEL OR CHARGE STATUS INDICATOR*

Never get caught unaware of your water levels again.

* May require additional hardware, feature to be enabled in future software update



HVC GUARDIAN® WARNING LIGHTS

SURFACE-MOUNTED SMART WARNING LIGHTS



KEY FEATURES

- Side-firing LEDs
- Crack-proof corners
- HVC system control
- Software updatable design



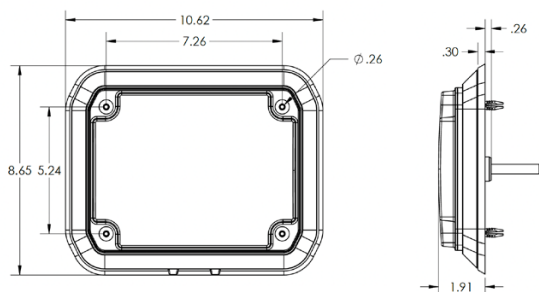
THE ULTIMATE SURFACE-MOUNTED WARNING LIGHTS

The HVC Guardian warning lights are the perimeter workhorse of the “Smart” HVC lighting range. They communicate using the intelligent single-wire automotive protocol with the OMEN lightbar and are designed to complement the OMEN by extending its core functions to the perimeters of the apparatus. HVC Guardian fixtures can execute ramping, dimming, and single or dual color operation based on user-selectable programming.

Physically, the HVC Guardians start with the same FireTech® durability and protection from heat and moisture (the top two killers of LEDs) that you’ve relied on for years. They are the only fixtures in their class to feature a full-sized aluminum heat sink, keeping the fixture cooler and less likely to overheat. Crack-proof corners mean the lens never comes into the contact with the mounting hardware, preventing cracks and lessening the risk of moisture intrusion. As an added protection, our HiViz Connect™ Guardian series warning lights are covered by our industry-leading Advance Exchange Lifetime Warranty. These lights also have the same physical footprint as our Guardian/Guardian Elite and Guardian Junior scene lights: side by side on an apparatus, they look like an intentionally matched pair.

These lights are infinitely updatable with virtually unlimited flash patterns and feature forward-facing single or dual color LEDs with chrome reflectors for high intensity light output. The side-firing LEDs are a new feature, illuminating the side of the truck to increase visibility and to project 180-degrees for off-axis viewing – making the HVC Guardian series warning lights the widest-throwing surface-mounted warning lights in the industry.

DIMENSIONS FOR HVC GUARDIAN® WARNING LIGHT

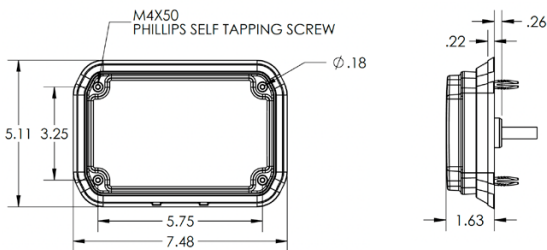


HVC GUARDIAN WARNING LIGHT	
DIMENSIONS	10.62" x 8.65" x 1.91"
WEIGHT	4.4 LBS.
BEZEL	CHROME OR BLACK
PEAK WATT.	51.2W
AVG. WATT.	20.4W
INPUT VOLTAGE DC	11-16V DC
CERTIFICATIONS	SAE J595 CLASS 1; SAE J578; NFPA 1901
LED COLOR OPTIONS	RED, BLUE, AMBER, WHITE, RED/GREEN, RED/BLUE, BLUE/AMBER, AMBER/GREEN, AMBER/WHITE, BLUE/GREEN, BLUE/WHITE, RED/AMBER, RED/WHITE, WHITE/GREEN

FT-HVC-GSM-WN--***
**** -LED COLOR, *-OPT. BLACK BEZEL (B)**

Red	White	RG	RB	BA
Blue	Amber	AG	AW	BG
BW	RA	RW	WG	

DIMENSIONS FOR HVC GUARDIAN JR WARNING LIGHT



HVC GUARDIAN JR WARNING LIGHT	
DIMENSIONS	7.48" x 5.11" x 1.63"
WEIGHT	1.7 LBS.
BEZEL	CHROME OR BLACK
PEAK WATT.	51.2W
AVG. WATT.	20.4W
INPUT VOLTAGE DC	11-16V DC
CERTIFICATIONS	SAE J595 CLASS 1; SAE J578; NFPA 1901
LED COLOR OPTIONS	RED, BLUE, AMBER, WHITE, RED/GREEN, RED/BLUE, BLUE/AMBER, AMBER/GREEN, AMBER/WHITE, BLUE/GREEN, BLUE/WHITE, RED/AMBER, RED/WHITE, WHITE/GREEN

FT-HVC-GSMJR-WN--***
**** -LED COLOR, *-OPT. BLACK BEZEL (B)**

Red	White	RG	RB	BA
Blue	Amber	AG	AW	BG
BW	RA	RW	WG	

GUARDIAN & GUARDIAN JR OPTIONAL ACCESSORIES



GUARDIAN RETROFIT GASKET
ADD -RGKIT TO THE END OF P/N

For replacing legacy fixtures that had a different sized cutout/bolt pattern. Covers old or oversized holes in the apparatus body.



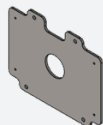
HVC ZONE MODULE
P/N: FT-HVC-ZONEMODULE

Allows CAN/LIN communication between the OMEN lightbar and HVC Guardian warning lights on the body of the apparatus.



BEZEL DELETE GASKET
ADD -BDKIT TO THE END OF P/N

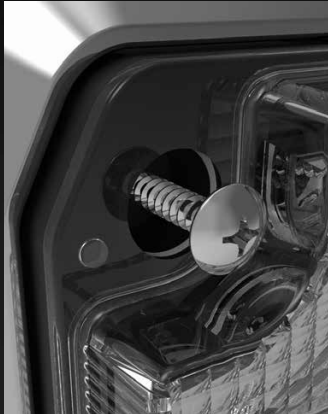
Allows for the installation of Guardian light without the chrome bezel for a reduced mounting profile.



GUARDIAN JR HEADLIGHT AREA MOUNTING BRACKET
P/N: P-4X6-GSMJR-PLATE

Mounting plate for mounting a Guardian Jr warning light in a headlight mounting area.

WHY CHOOSE THE GUARDIAN® SERIES?



CRACK-FREE CORNER DESIGN

Screws never come in contact with the lens, preventing cracking and moisture intrusion. They're so strong you can hang a Hummer from them!



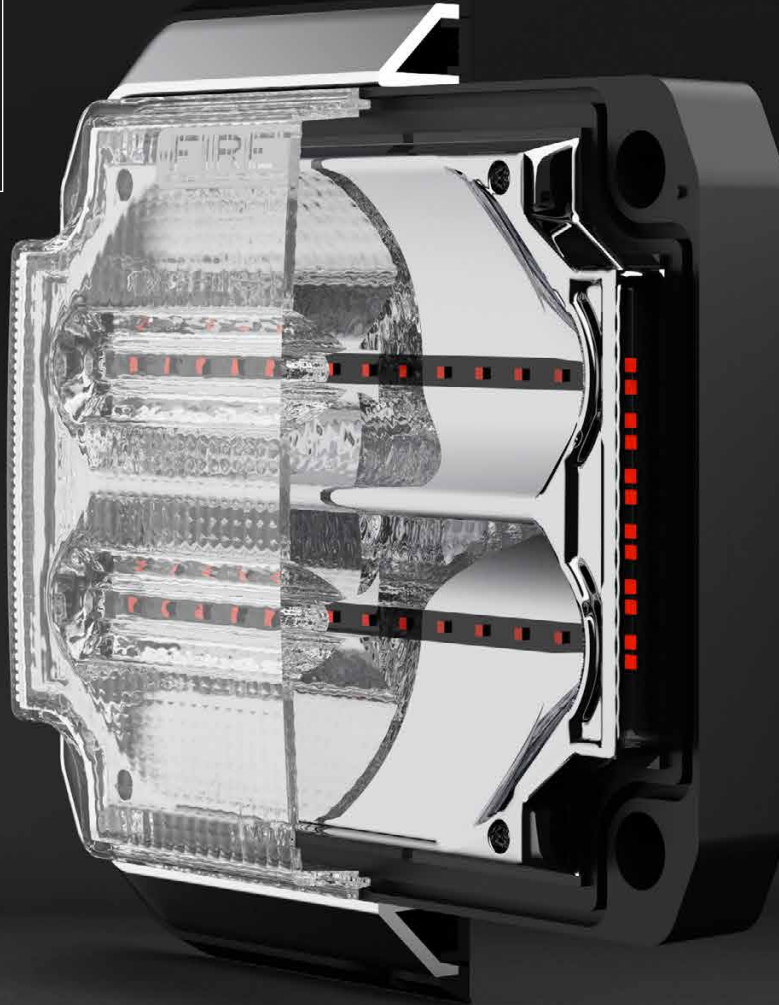
SEE FULL
VIDEO HERE!

SIDE-FIRING LEDs

Viewing angle matters, and more angles means more visibility - especially on winding roads. The HVC Guardian warning lights feature both forward-facing LEDs, plus side-firing LEDs that illuminate the side of the truck, making the truck more visible to other drivers. Parking off-angle? We've got you covered.

PRECISION LINEAR OPTICS

Using a linear optic, this fixture can generate an ultra-wide beam that is visible for miles.



BACKED BY THE FIRETECH® LIFETIME WARRANTY

HIGH PERFORMANCE ALUMINUM HEAT SINK

Excessive temperature is the #1 killer of LED products in the public safety industry. Most warning lights are designed with a thin plate of sheet metal behind the LEDs. Instead, we use an oversized aluminum heat sink which keeps the fixture cooler. A cooler fixture means you're less likely to need our warranty. But if you do, we've got your back for life.



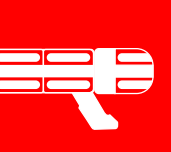
WIRELESS CONNECTIVITY

Configure features and settings from a smartphone app, or leverage wireless smart synchronization limiting the need to re-run wiring during apparatus retrofit.*

NITTO TEMISH VENT

The second most common killer of LED lights in the industry is moisture. Our Nitto TEMISH Vent allows moisture to vent ensuring no unwanted condensation or water droplets are trapped in the lens. The combination of crack-proof corners and the TEMISH vent allows you to leave your worries at the station.





GUARDIAN® G-SERIES LIGHTS

COMPACT EXTERNAL WARNING LIGHTS



KEY FEATURES

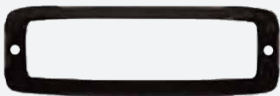
- Multi-unit synchronization in simultaneous or alternating flash
- Super low-profile thickness
- Vibration resistant design

SMALL BUT MIGHTY

Thin, bright, and built to last: the FireTech® G-Series warning lights are an aluminum warning light that fits virtually anywhere. The G14 and G25 fixtures are available in two sizes and either single or dual configurations. On a fire apparatus, these fixtures can be installed in the rub rail, on the bumper, or in other areas where small form factor is required and durability is key. Additionally, these fixtures can be set to steady burn and be controlled by a variety of water level indicator driver modules, or “smart” lighting systems with user programmable outputs.

If you’re building a QRV, patrol car or any other vehicle where space is limited, the FireTech G-Series is designed to help you help others. The G25 is available in a dual color configuration, while the G14 is a single color configuration. Each fixture ships with a chrome bezel. Blackout bezels are available as an optional accessory as seen below.

G-SERIES OPTIONAL ACCESSORIES



G14 BLACKOUT BEZEL
P/N: P-G14-BOBEZEL

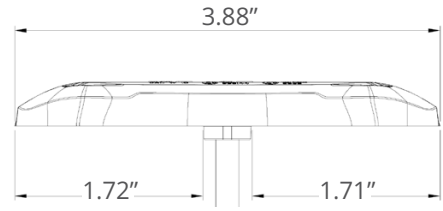
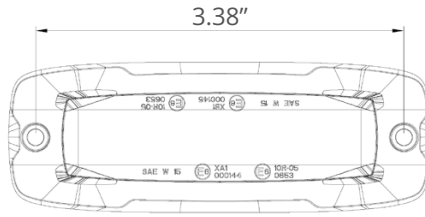
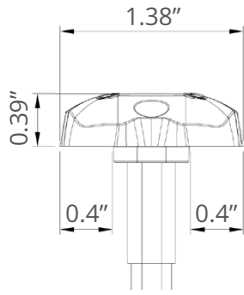
Black replacement bezel for FireTech Guardian G-Series G14 warning light.



G25 BLACKOUT BEZEL
P/N: P-G25-BOBEZEL

Black replacement bezel for FireTech Guardian G-Series G25 warning light.

GUARDIAN® G-SERIES G14 WARNING LIGHT

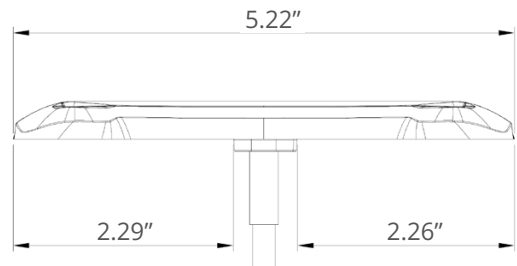
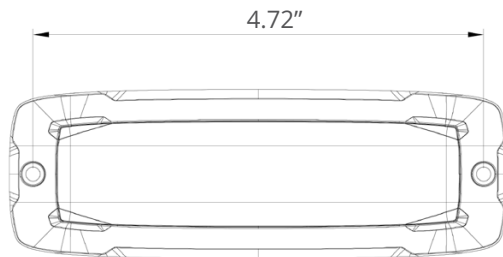
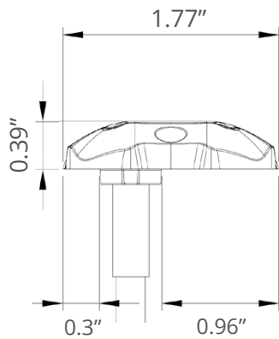


FT-G14-**
**** -LED COLOR (RED, WHITE, AMBER)**
■ RED □ WHITE ■ AMBER

G14 | WARNING LIGHT

DIMENSIONS	3.88" x 1.38" x .39"
WEIGHT	.1 LBS.
BEZEL	CHROME
INPUT VOLTAGE DC	12-24V DC
AMP DRAW (AVG PEAK)	.41A @12V DC .83A @12V DC
WATTAGE (AVG PEAK)	5.3W 10.6W
WARNING LIGHT CERTIFICATIONS	SAE J595 CLASS 1
NUMBER OF WARNING PATTERNS	16 (SINGLE COLOR)
LED COLOR OPTIONS	RED, WHITE, AMBER

GUARDIAN G-SERIES G25 WARNING LIGHT



FT-G25-**
**** -LED COLOR (RED, BLUE, AMBER, GREEN, WHITE, RW, AW)**
■ RED ■ BLUE ■ AMBER ■ GREEN
□ WHITE ■ RW □ AW

G25 | WARNING LIGHT

DIMENSIONS	5.22" x 1.77" x .39"
WEIGHT	.2 LBS.
BEZEL	CHROME
INPUT VOLTAGE DC	12-24V DC
AMP DRAW (AVG PEAK)	.8A @12V DC 1.6A @12V DC
WATTAGE (AVG PEAK)	10.6W 21.1W
WARNING LIGHT CERTIFICATIONS	SAE J595 CLASS 1
NUMBER OF WARNING PATTERNS	16 (SINGLE COLOR) / 26 (DUAL COLOR)
LED COLOR OPTIONS	RED, BLUE, AMBER, GREEN, WHITE, RED/WHITE, AMBER/WHITE

DOT LIGHTS





DOT LIGHTS





4X6" HEADLIGHTS

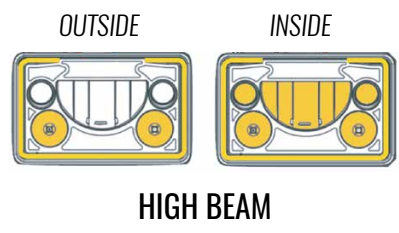
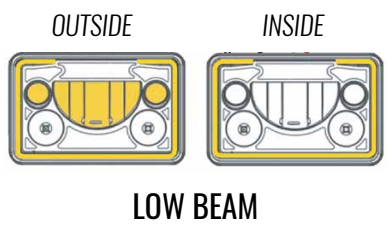
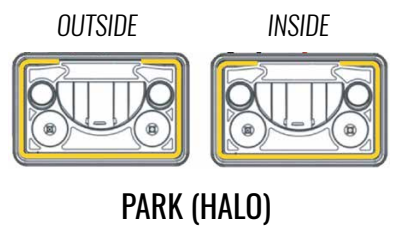
PURPOSE BUILT FOR EMERGENCY VEHICLES



KEY FEATURES

- Direct replacement for existing headlights
- Integrated halo/park lamp
- DOT/FMVSS 108 compliant

DOT COMPLIANT HEADLIGHT FUNCTIONS (4 PIECE KIT EXAMPLE)



DESIGNED FOR EMERGENCY SERVICES

FireTech® LED headlights are a simple way to dramatically boost the total light output of your emergency vehicle. Utilizing long range IRIS Reflector technology, the FireTech LED headlight is able to push the light from the high beam LEDs to surprising distances. The reflector for the low beam LED was engineered to produce a wide beam pattern to cover the entire roadway. Each beam is precisely positioned to keep light from impairing on-coming drivers vision. Two elliptical beam LEDs in each headlight are aimed to cascade in front of and to the sides of the vehicle, increasing safety while driving and on scene.

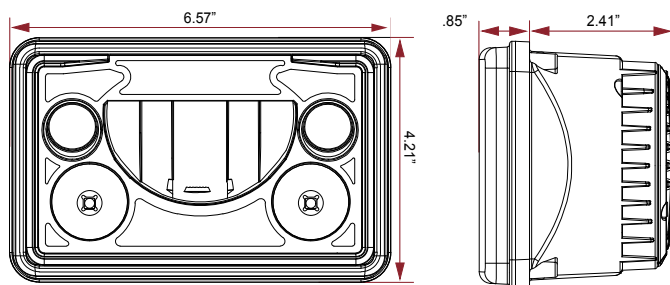




HEATED 4X6" HEADLIGHT

The FireTech® heated LED headlights utilize a heated glass lens which is around 7X more thermally conductive than polycarbonate or other plastics. This lens allows more heat transfer from the heating element to the surface of the lens, which results in faster and more efficient headlight defrosting. The heating element is temperature activated, which prevents it from wearing out during warmer weather conditions. With its durable silver heating element, the headlight is designed for repetitious high temperature cycles in extreme environments.

4X6" HEADLIGHT DIMENSIONS



4X6" HEADLIGHTS

USABLE LIGHT	1,000 FEET
REFLECTOR COLORS	CHROME OR BLACK CHROME
BEAM MODELS	HIGH/LOW, HALO, HIGH ONLY
DIMENSIONS	6.57" x 4.21" x 3.28"
INPUT VOLTAGE DC	9-32V DC
OPERATING RANGE	-40°F TO +185°F
EMC APPROVAL	CISPR25 CLASS 1
VIBRATION RATING	21.2 Grms
IP RATING	IP68/69K

MODELS

ITEM #	DESCRIPTION
FT-4X6-HL	4X6 Headlight DOT High / Low (For Low Beam Use); 35W; 2.92A @ 12V DC
FT-4X6-HL-KIT	4X6 Kit Containing 2 High / Low Headlights; 70W; 5.83A @ 12V DC
FT-4X6-HL-DB	4X6 Headlight DOT High / Low (For Low Beam Use), Black Chrome; 35W; 2.92A @ 12V DC
FT-4X6-HL-DB-KIT	4X6 Kit Containing 2 DOT High / Low (For Low Beam Use), Black Chrome; 70W; 5.84A @ 12V DC
FT-4X6-H	4X6 Headlight DOT High Beam Only; 41W; 3.42A @ 12V DC
FT-4X6-H-KIT	4X6 Kit Containing 2 DOT High Beam Only; 82W; 6.84A @ 12V DC
FT-4X6-4KIT	4X6 Kit Containing 4 Headlights; 2 High/Low & 2 High Only; 152W; 12.67A @ 12V DC
FT-4X6-4KIT-DB	4X6 Kit Containing 4 Headlights; 2 High/Low & 2 High Only, Black Chrome; 152W; 12.67A @ 12V DC
FT-4X6-HL-DF	Heated 4X6 Headlight DOT High / Low (For Low Beam Use); 58W; 4.84A @ 12V DC
FT-4X6-H-DF	Heated 4X6 Headlight DOT High Beam Only; 64W; 5.37A @ 12V DC
FT-4X6-4KIT-DF	Heated 4X6 Kit Containing 4 Headlights; 2 High / Low & 2 High Only; 244W; 20.42A @ 12V DC
FT-4X6-HL-HA	4X6 Headlight DOT High / Low (For Low Beam Use). Amber Halo; 35W; 2.92A @ 12V DC
FT-57-4X6MOUNT-B	4X6 To 5X7 Headlight Adapter Black
FT-57-4X6MOUNT-W	4X6 To 5X7 Headlight Adapter White



5.75" & 7" HEADLIGHTS

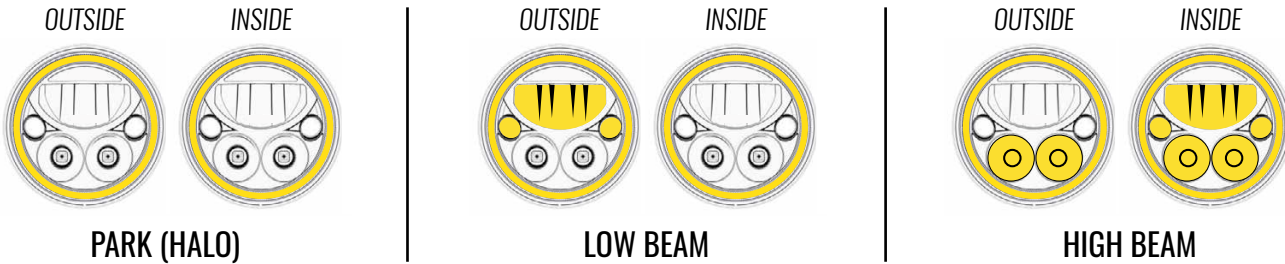
PURPOSE BUILT FOR EMERGENCY VEHICLES



KEY FEATURES

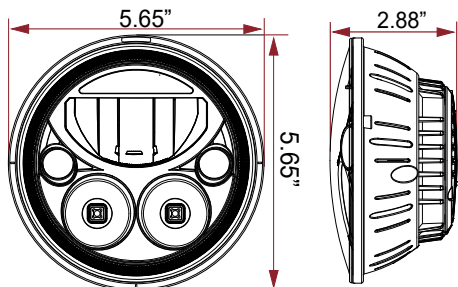
- Direct replacement
- Integrated halo/park lamp
- DOT/FMVSS 108 compliant

DOT COMPLIANT HEADLIGHT FUNCTIONS (4 PIECE KIT EXAMPLE)





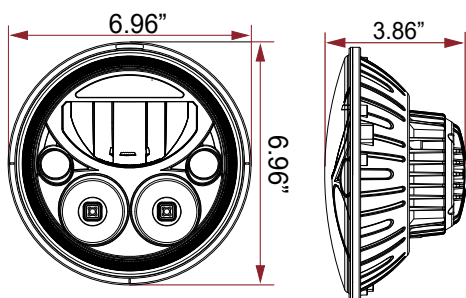
5.75" HEADLIGHT DIMENSIONS



5.75" HEADLIGHTS

USABLE LIGHT	1,000 FEET
BEAM MODELS	HIGH/LOW, HALO, HIGH ONLY
DIMENSIONS	5.65" x 5.65" x 2.88"
INPUT VOLTAGE DC	9-32V DC
OPERATING RANGE	-40°F TO +185°F
VIBRATION RATING	21.2 G _{RMS}
IP RATING	IP68/69K

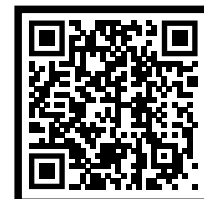
7" HEADLIGHT DIMENSIONS



7" HEADLIGHTS

USABLE LIGHT	1,000 FEET
BEAM MODELS	HIGH/LOW, HALO, HIGH ONLY
DIMENSIONS	6.96" x 6.96" x 3.86"
INPUT VOLTAGE DC	9-32V DC
OPERATING RANGE	-40°F TO +185°F
VIBRATION RATING	21.2 G _{RMS}
IP RATING	IP68/69K

**LEARN MORE ABOUT
FIRETECH HEADLIGHTS**



MODELS

ITEM #	DESCRIPTION
FT-575RD-H	5.75" Headlight DOT High Only; 34.2W; 2.67A @ 12V DC
FT-575RD-HL	5.75" Headlight DOT High / Low (For Low Beam Use); 30.2W; 2.35A @ 12V DC
FT-575RD-HL-KIT	5.75" Kit Containing 2 High / Low Headlights; 60.4W; 4.7A @ 12V DC
FT-575RD-4KIT	5.75" Kit Containing 4 Headlights, 2 High/Low & 2 High Only; 128.8W; 10.04A @ 12V DC
FT-575RD-MOUNT-H	Mounting Kit For 5.75" Headlight DOT High Only; 34.2W; 2.67A @ 12V DC
FT-575RD-MOUNT-HL	Mounting Kit For 5.75" Headlight DOT High / Low (For Low Beam Use); 30.2W; 2.35A @ 12V DC
FT-575RD-MOUNT-HL-KIT	Mounting Kit For 5.75" Kit Containing 2 High / Low Headlights; 60.4W; 4.7A @ 12V DC
FT-575RD-MOUNT-4KIT	Mounting Kit For 5.75" Kit Containing 4 Headlights, 2 High/Low & 2 High Only; 128.8W; 10.04A @ 12V DC
FT-7RD-HL	7" Headlight DOT High / Low (For Low Beam Use); 47W; 3.67A @ 12V DC
FT-7RD-HL-2KIT	7" Headlight Kit Containing 2 DOT High / Low (For Low Beam Use); 94W; 7.34A @ 12V DC
FT-7RD-HL-2KIT-HA	7" Headlight Kit Containing 2 DOT High / Low (For Low Beam Use) Amber Halos; 94W; 7.34A @ 12V DC

BRACKETS
REQUIRED TO
MOUNT ON
PIERCE CABS



GUARDIAN® JR TAIL LIGHT ASSEMBLY

PURPOSE-BUILT FOR EMERGENCY VEHICLES



KEY FEATURES

- Same industry-standard footprint and bolt patterns as legacy technology produced by other manufacturers
- DOT compliant tail light modes
- Can be purchased in kits or individual fixtures



2 Flash Patterns



7 Flash Patterns



On / Off

STOP/TAIL, TURN, BACKUP LIGHTS

The Guardian® Jr Stop/Tail, Turn, and Backup lights are an expansion of the Guardian series of fixtures. They can be purchased individually (Stop/Tail, Turn, or Backup), or can be purchased in kits with triple or quad tail light housings. These fixtures are an economical addition to your apparatus which allows you to choose all fixtures from one lighting manufacturer for your whole apparatus, all backed by the industry's first Advance Exchange Lifetime Warranty.

STOP/TAIL LIGHT | FT-TL-GSMJR-STT

DIMENSIONS	6.45" x 4.09" x 0.85"
AVG. WATTAGE	2.88W
MAX. WATTAGE	5.76W
AVG. AMPERAGE	0.24A @ 12V DC; 0.12A @ 24V DC
MAX. AMPERAGE	0.48A @ 12V DC ; 0.24A @ 24V DC
INPUT VOLTAGE DC	9-32V DC
CERTIFICATIONS	FMVSS-108; SAE J2040; SAE J2261; SAE J585; SAE J586; IP67 & IP69K

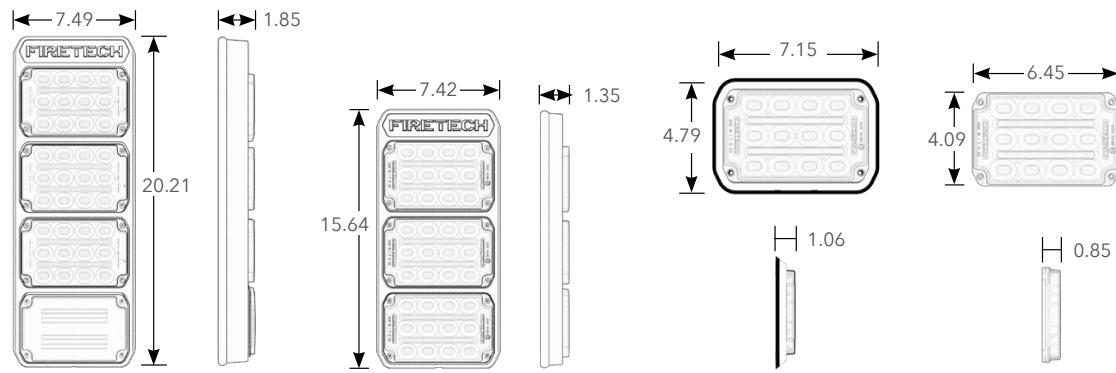
TURN LIGHT | FT-TL-GSMJR-TURN

DIMENSIONS	6.45" x 4.09" x 0.85"
AVG. WATTAGE	3.36W
MAX. WATTAGE	6.72W
AVG. AMPERAGE	0.28A @ 12V DC; 0.14A @ 24V DC
MAX. AMPERAGE	0.56A @ 12V DC; 0.28A @ 24V DC
INPUT VOLTAGE DC	9-32V DC
CERTIFICATIONS	FMVSS-108; SAE J2261; SAE J588; IP67 & IP69K

BACKUP LIGHT | FT-TL-GSMJR-BACKUP

DIMENSIONS	6.45" x 4.09" x 0.85"
MAX. WATTAGE	2.88W
MAX. AMPERAGE	0.24A @ 12V DC; 0.12A @ 24V DC
INPUT VOLTAGE DC	9-32V DC
CERTIFICATIONS	FMVSS-108; SAE J593; IP67 & IP69K

DIMENSIONS FOR QUAD, TRIPLE, SINGLE, & NO BEZEL ASSEMBLIES



MODELS

ITEM #	DESCRIPTION
FT-TL-GSMJR-STT	Guardian Jr Stop/Tail Light. Red Lens. Red Leds. Dim Running Light, Bright Stop Light.
FT-TL-GSMJR-BACKUP	Guardian Jr Backup Light. Clear Lens. White Leds. On/Off White Light.
FT-TL-GSMJR-TURN	Guardian Jr Turn Signal Light. Amber Lens. Amber Leds. Arrow & Other Functions.
FT-TL-GSMJR-6KIT	Complete Set Of 2 Stop/Tail Lights, 2 Turn Lights, & 2 Backup Lights. Includes 6 Chrome Bezels.
FT-TL-GSMJR-TRIPLE-KIT	Complete Set Of 2 Triple Tail Light Housings. Includes Stop/Tail, Turn, & Backup Lights.
FT-TL-GSMJR-QUAD-KIT	Complete Set Of 2 Quad Tail Light Housings. Includes Stop/Tail, Turn, & Backup Lights.
FT-TL-GSMJR-QUAD-KIT-RED	Complete Set Of 2 Quad Tail Light Housings. Includes Stop/Tail, Turn, Backup, & Red Guardian Jr Warning Lights.
FT-TL-GSMJR-QUAD-KIT-AMBER	Complete Set Of 2 Quad Tail Light Housings. Includes Stop/Tail, Turn, Backup, & Amber Guardian Jr Warning Lights.
FT-TL-GSMJR-QUAD-KIT-BLUE	Complete Set Of 2 Quad Tail Light Housings. Includes Stop/Tail, Turn, Backup, & Blue Guardian Jr Warning Lights.
FT-TL-HVC-GSMJR-QUAD-KIT-RED	Complete Set Of 2 Quad Tail Light Housings. Includes Stop/Tail, Turn, Backup, & Red "Smart" Guardian Jr Warning Lights.
FT-TL-HVC-GSMJR-QUAD-KIT-AMBER	Complete Set Of 2 Quad Tail Light Housings. Includes Stop/Tail, Turn, Backup, & Amber "Smart" Guardian Jr Warning Lights.
FT-TL-HVC-GSMJR-QUAD-KIT-BLUE	Complete Set Of 2 Quad Tail Light Housings. Includes Stop/Tail, Turn, Backup, & Blue "Smart" Guardian Jr Warning Lights.
P-GSMJR-BEZEL	1 Chrome Bezel.
P-GSMJR-BEZELKIT	1 Chrome Bezel With Foam Perimeter Gasket & Mounting Hardware.
FT-TL-GSMJR-TRIPLE-HO	Individual Triple Bezel Kit With Foam Perimeter Gasket & Mounting Hardware.
FT-TL-GSMJR-QUAD-HO	Individual Quad Bezel Kit With Foam Perimeter Gasket & Mounting Hardware.
FT-TL-GSMJR-6KIT-B	2 Stop/Tail Lights, 2 Turn Lights, & 2 Backup Lights. Includes 6 Black Bezels.
FT-TL-GSMJR-TRIPLE-KIT-B	Complete Set Of 2 Triple Tail Light Black Housings. Includes Stop/Tail, Turn, & Backup Lights.
FT-TL-GSMJR-QUAD-KIT-B	Complete Set Of 2 Quad Tail Light Black Housings. Includes Stop/Tail, Turn, & Backup Lights.
FT-TL-GSMJR-QUAD-KIT-RED-B	Complete Set Of 2 Quad Tail Light Black Housings. Includes Stop/Tail, Turn, Backup, & Red Guardian Jr Warning Lights.
FT-TL-GSMJR-QUAD-KIT-AMBER-B	Complete Set Of 2 Quad Tail Light Black Housings. Includes Stop/Tail, Turn, Backup, & Amber Guardian Jr Warning Lights.
FT-TL-GSMJR-QUAD-KIT-BLUE-B	Complete Set Of 2 Quad Tail Light Black Housings. Includes Stop/Tail, Turn, Backup, & Blue Guardian Jr Warning Lights.
FT-TL-HVC-GSMJR-QUAD-KIT-RED-B	Complete Set Of 2 Quad Tail Light Black Housings. Includes Stop/Tail, Turn, Backup, & Red "Smart" Guardian Jr Warning Lights.
FT-TL-HVC-GSMJR-QUAD-KIT-AMBER-B	Complete Set Of 2 Quad Tail Light Black Housings. Includes Stop/Tail, Turn, Backup, & Amber "Smart" Guardian Jr Warning Lights.
FT-TL-HVC-GSMJR-QUAD-KIT-BLUE-B	Complete Set Of 2 Quad Tail Light Black Housings. Includes Stop/Tail, Turn, Backup, & Blue "Smart" Guardian Jr Warning Lights.
P-GSMJR-BOBEZEL	1 Guardian Jr Blackout Bezel.
P-GSMJR-BOBEZELKIT	1 Guardian Jr Blackout Bezel With Foam Perimeter Gasket & Mounting Hardware.
FT-TL-GSMJR-TRIPLE-HO-B	Individual "Triple" Bezel Kit. Foam Perimeter Gasket. Mounting Hardware. Black Housing Only. No Lights.
FT-TL-GSMJR-QUAD-HO-B	Individual "Quad" Bezel Kit. Foam Perimeter Gasket. Mounting Hardware. Black Housing Only. No Lights.
 P-4X6-GSMJR-PLATE	Guardian Jr Headlight Area Mounting Bracket.

CHROME BEZEL PART NUMBERS & DESCRIPTIONS

BLACK BEZEL PART NUMBERS & DESCRIPTIONS

BAR-STYLE FIXTURES





BAR-STYLE FIXTURES

LAD 2 DER



BG2 SMART (BG2S) MODULAR LIGHT SYSTEM

REVOLUTIONARY MODULAR LIGHTING TECHNOLOGY

KEY FEATURES

The race for the most light is over. In today's digitally connected world full of distracted drivers, it's more important to use the right type of light in the correct areas. With the BG2S, every module has the ability to engage spot, flood, scene, or colored lights independently. This means you can focus on the big picture of the scene and control the white lighting, warning lighting, and traffic director functions from one interconnected system.



- > SPOT
- > FLOOD WITH OPTION OF ADDITIONAL **MARKER | TRAFFIC | WARNING**
- > SCENE



MARKER LIGHT OPTION

Add an additional circuit with amber LEDs to select modules to function as marker lights (available with all BG2S lighting packages).



TRAFFIC DIRECTOR OPTION

Add an array of amber LED circuits to your BG2S to create a synchronized traffic indicator across a single BG2S fixture or multiple BG2S light fixtures (available with all BG2S lighting packages).

OR



WARNING LIGHT OPTION

Add an array of colored (red, blue, or amber) LED circuits to your BG2S to create a synchronized warning light across a single BG2S fixture or multiple BG2S light fixtures (available with all BG2S lighting packages).

GLOW MODE

Engages the scene BG2S lighting circuit to produce a soft, downward facing glow that is suitable for non-mission critical service calls (available with all BG2S lighting packages).

GO MODE

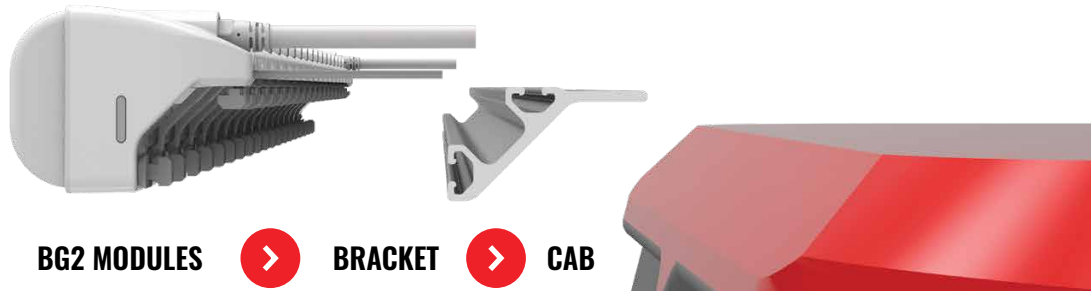
Engages spot, flood, and scene BG2S lighting circuits simultaneously with MAX intensity that is suitable for mission critical service calls (available with all BG2S lighting packages).

CRUISE MODE

Engages colored LED circuit only with low-intensity (available with BG2S Multi-System lighting packages only).

CUSTOM TOOLED MOUNTING BRACKET FOR ANY CAB

Correct placement on the apparatus is key to minimize shadowing. Our BG2S has optimal placement on the edge of the apparatus body, with its custom-tooled extrusion matched to the installation location. No fabricating, cutting, or thinking are required. Just choose the correct extrusion, mount the track, and send the truck down the road. Choose your chassis brand:



BG2 MODULES



BRACKET



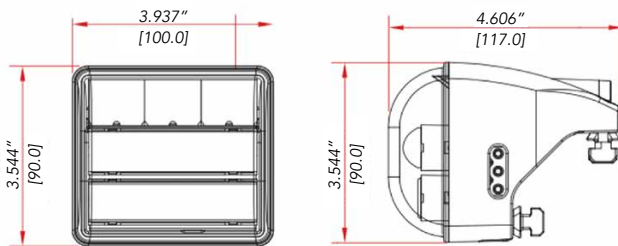
CAB



MODULAR DESIGN

The building block and backbone for this system is a 4" wide light module with a variety of circuits packed inside. Each module is attached to a custom extrusion and shares power through our innovative bridging pin connectors. The modular design allows for sizes ranging from a single module wide up to the full length of the apparatus.

DIMENSIONS



BG2S 4" MODULE

VOLTAGE RANGE	9-32V DC
MAX POWER CONSUMPTION	32 WATTS
RAW LUMENS PER MODULE	3,400
OPERATING TEMP. RANGE	-40°F TO 176°F
INGRESS PROTECTION RATING	IP67/69K
DIMENSIONS	3.544" x 3.937" x 4.606"

READY TO CONFIGURE YOUR BG2S AND GET A PART NUMBER? SCAN BELOW!



FRONT OF CAB



SIDE OF CAB



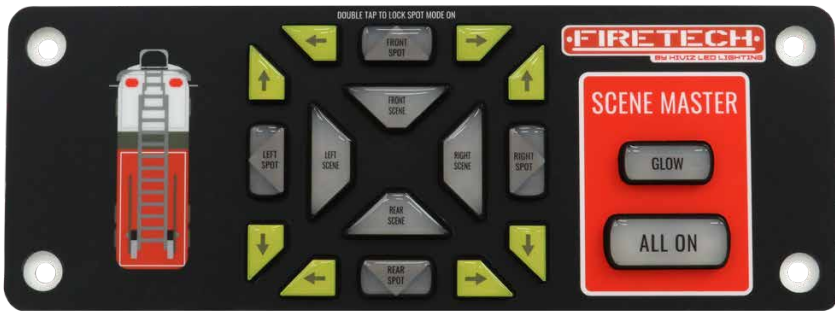
SIDE OF BODY



REAR OF BODY

BG2S USER INTERFACE PANEL (UIP)

CUSTOMIZABLE LIGHTING CONFIGURATIONS



FT-BG2S-UIP-001

KEY FEATURES

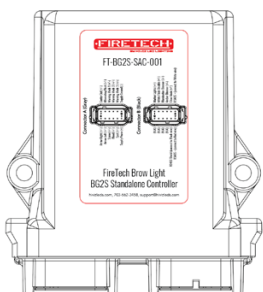
- Control a full truck of BG2 Smart lights from one panel
- Install multiple panels to control system from multiple locations
- Active load management
- Software configurable

THE ULTIMATE CONTROL PANEL

The BG2 Smart (BG2S) lighting system is a solution for firefighters that makes lighting a scene easier and faster. It uses optically grouped fixtures, one switch panel location, and customizable button panels to help rapidly put light in any area around the truck. You can have up to four User Interface Panels installed in different areas of the truck so you can easily adjust the lighting no matter where you are on the truck.

Active load management is a unique feature of BG2S systems that ensures the alternator's power matches the amount of power being drawn from the battery. This prevents the truck from shutting off and having to work in the dark. The User Interface Panel senses the amount of power being drawn and will dim the lights when necessary.

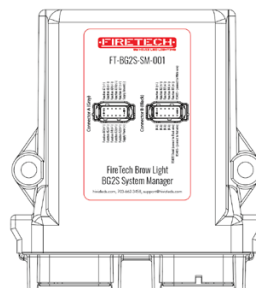
OTHER BG2S CONTROLLER OPTIONS



STANDALONE CONTROLLER

P/N: FT-BG2S-SAC-001

When you are using a single BG2S fixture, the Standalone Controller gives you the ability to control the fixture using 13 pre-selected input pins.

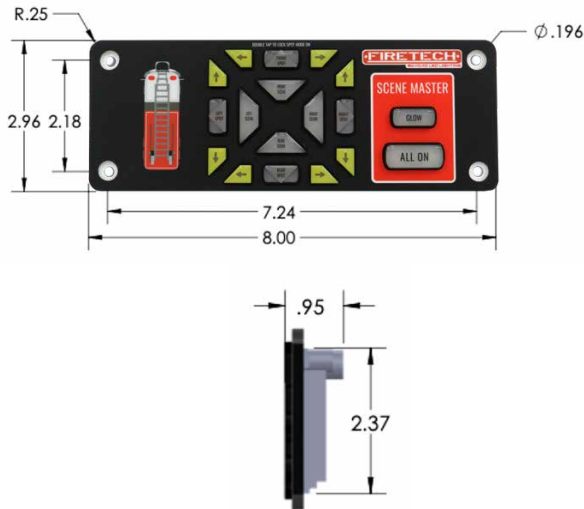


SYSTEM MANAGER

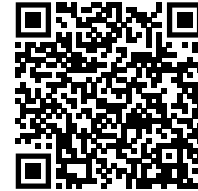
P/N: FT-BG2S-SM-001

When controlling multiple BG2S fixtures on one truck, a single System Manager connects to all of the fixtures and gives you the ability to program up to 13 user-selectable system inputs.

DIMENSIONS



SCAN FOR
USER INTERFACE
PANEL CONFIG.
GUIDE



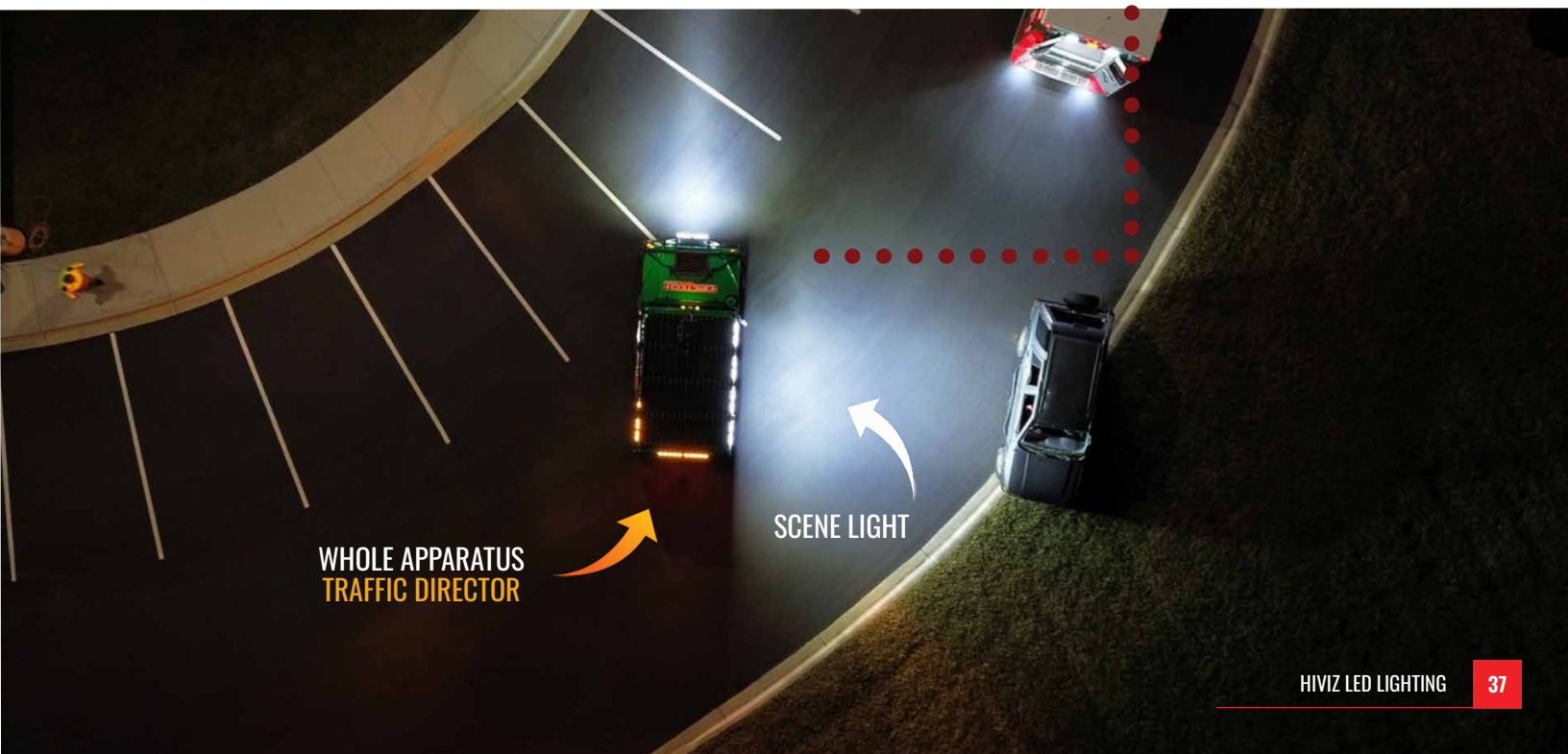
SCAN FOR
SYSTEM
MANAGER
CONFIG. GUIDE



**BG2S USER INTERFACE PANEL IN OPT. HOUSING
FT-BG2S-UIP-001-MOUNT**

ULTIMATE CONTROL USER INTERFACE PANEL

- » Eliminates hassle of apparatus electrical integration.
- » Quickly change between all lighting modes across multiple light fixtures.
- » Sync multiple panels together to control system from more than one location.





BROW LIGHTS

46"-83" LOW-PROFILE LIGHT FIXTURES

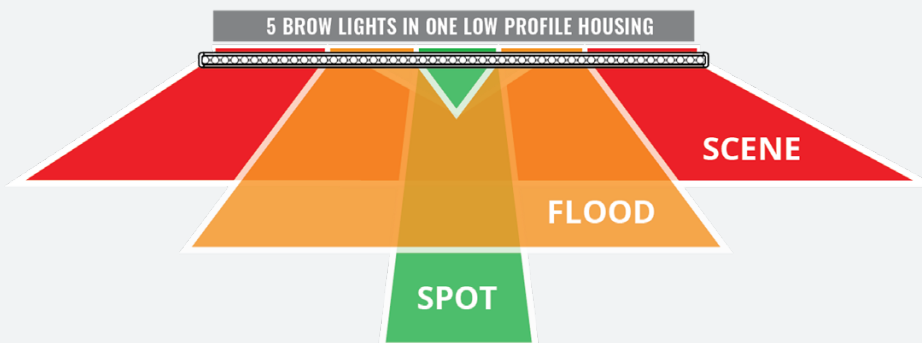


KEY FEATURES

- **OPTIONAL MARKER LIGHTS**
Each FireTech® brow light has the option of integrated DOT compliant marker lights. These allow you to combine six to seven fixtures into one, while maintaining DOT compliance.
- **ADJUSTABLE MOUNTS ALONG BODY**
Using our patented rail mounting foot, the FireTech brow lights can be securely attached to the cab every 12-18 inches, preventing the housing from flexing and preserving fixture integrity over time.
- **ALL ALUMINUM CONSTRUCTION**
FireTech brow lights are manufactured from a solid billet of aluminum which offers superior structural rigidity and thermal dissipation.

DOMINATE THE SCENE WITH FIVE LIGHTS IN ONE

FireTech brow lights give you the right type of lighting for the leading edge of your apparatus cab. By combining a long distance spot beam with multiple flood beams, your apparatus will have both range and coverage.





BROW LIGHT MODELS (NO MARKER LIGHTS)



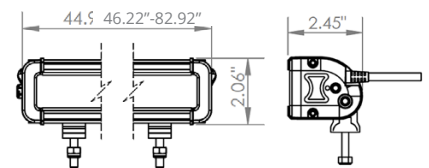
BROW LIGHT MODELS WITH MARKER LIGHTS



ITEM #	LENGTH	WATTS	AMP DRAW @12V DC	CIRCUITS	MARKER LIGHTS
FT-B-46-*	46.22"	180	14.1	3	0
FT-B-46-ML-3-* †	50.01"	189	14.8	4	3
FT-B-54-2PKIT-* †	2x 27.33"	210	17.5	1 (For Aerials)	0
FT-B-65-*	65.23"	255	19.9	3	0
FT-B-72-*	72.69"	285	22.3	3	0
FT-B-72-3PKIT-*	1x 27.32" 2x 23.52"	285	23.89	3	0
FT-B-72-ML-*	75.12"	285	22.3	4	5
FT-B-72-ML-3PKIT-*	1x 27.32" 2x 24.8"	285	23.8	4	5
FT-B-80-ML-*	82.92"	315	24.6	4	5

* - Housing color options: "B" - Black, "W" - White
 † - Special build item with an MOQ of 20 or a 10% short run surcharge

DIMENSIONS



HiViz CONNECT™

COMING SOON with HiViz Connect™ smart functionality:

P/N: FT-HVC-B-72-ML
&
P/N: FT-HVC-B-80-ML



SINGLE STACK MINIBROW®

9"-50" MINIBROW SCENE LIGHTS



KEY FEATURES

- Ultra low-profile design
- Configurable optics
- Adjustable mounting rail

MODELS

9" **FT-MB-6-FT-*** | 6 LEDS | 3,168 RAW LM †



†FLOOD AND COMBINATION OPTICS AVAILABLE BY REQUEST

12" **FT-MB-9-**-*** | 9 LEDS | 4,752 RAW LM



COMBINATION AND SPOT OPTICS AVAILABLE STANDARD
†FLOOD OPTICS AVAILABLE BY REQUEST

20" **FT-MB-15-FT-*** | 15 LEDS | 7,920 RAW LM



†FLOOD OPTICS AVAILABLE BY REQUEST

24" **FT-MB-18-FT-*** | 18 LEDS | 9,504 RAW LM



†FLOOD OPTICS AVAILABLE BY REQUEST

27" **FT-MB-21-FT-*** | 21 LEDS | 11,088 RAW LM



†FLOOD OPTICS AVAILABLE BY REQUEST

31" **FT-MB-24-FT-*** | 24 LEDS | 12,672 RAW LM



†FLOOD OPTICS AVAILABLE BY REQUEST

35" **FT-MB-27-FT-*** | 27 LEDS | 14,256 RAW LM



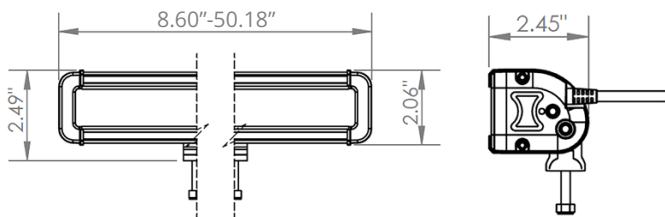
COMBINATION AND FLOOD OPTICS AVAILABLE STANDARD

43" **FT-MB-33-FT-*** | 33 LEDS | 17,424 RAW LM



†FLOOD OR SPOT OPTICS AVAILABLE BY REQUEST

DIMENSIONS



"S" = Spot Optics, "F" = Flood Optics, "FT" = Combination Optics
 * - Housing Color options: "B" - Black, "W" - White
 † - Special build item with an MOQ of 20 or a 10% short run surcharge

ITEM #	LENGTH	WATTS	AMP DRAW @12V DC
FT-MB-6-FT-* †	8.60"	30	2.3
FT-MB-6-F-* †	8.60"	30	2.3
FT-MB-9-FT-*	12.38"	45	3.5
FT-MB-9-S-*	12.38"	45	3.5
FT-MB-15-FT-*	19.94"	75	5.9
FT-MB-18-FT-*	23.72"	90	7.0
FT-MB-21-FT-*	27.50"	105	8.2
FT-MB-24-FT-*	31.28"	120	9.4
FT-MB-27-FT-*	35.06"	135	10.5
FT-MB-27-F-*	35.06"	135	10.5
FT-MB-33-FT-*	42.62"	165	12.9
FT-MB-39-FT-W †	50.18"	195	15.2



DOUBLE STACK MINIBROW®

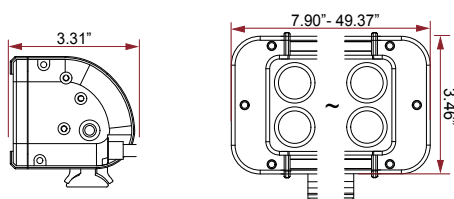
8"-50" MINIBROW SCENE LIGHTS



KEY FEATURES

- Two rows of LEDs
- Configurable optics
- Adjustable mounting rail

DIMENSIONS



ITEM #	LENGTH	WATTS	AMP DRAW @12V DC
FT-MB-2.6-FT-B	7.90"	60	5
FT-MB-2.9-F-*	11.10"	90	7.5
FT-MB-2.15-FT-*	17.50"	150	12.5
FT-MB-2.15-F-*	17.50"	150	12.5
FT-MB-2.18-FT-*	20.60"	180	15
FT-MB-2.27-FT-*	30.20"	270	22.5
FT-MB-2.36-FT-*	39.80"	360	30
FT-MB-2.45-FT-* †	49.37"	450	37.5

MODELS

8" **FT-MB-2.6-FT-B | 12 LEDS | 6,336 RAW LM**



FT-MB-2.6-F-W IS AVAILABLE STANDARD
†FT-MB-2.6-FT-W, SPOT, AND FLOOD OPTICS AVAILABLE BY REQUEST

11" **FT-MB-2.9-F-*** | 18 LEDS | 9,504 RAW LM



†COMBINATION OPTICS AVAILABLE BY REQUEST

18" **FT-MB-2.15-**-*** | 30 LEDS | 15,840 RAW LM



COMBINATION AND FLOOD OPTICS AVAILABLE STANDARD

21" **FT-MB-2.18-FT-*** | 36 LEDS | 19,008 RAW LM



†SPOT AND FLOOD OPTICS AVAILABLE BY REQUEST

30" **FT-MB-2.27-FT-*** | 54 LEDS | 28,512 RAW LM



†SPOT AND FLOOD OPTICS AVAILABLE BY REQUEST

40" **FT-MB-2.36-FT-*** | 72 LEDS | 38,016 RAW LM



†FLOOD OPTICS AVAILABLE BY REQUEST

50" **FT-MB-2.45-FT-*** | 90 LEDS | 47,520 RAW LM †



†COMBINATION AND FLOOD OPTICS AVAILABLE BY REQUEST

"S" = Spot Optics, "F" = Flood Optics, "FT" = Combination Optics

* - Housing Color options: "B" - Black, "W" - White

† - Special build item with an MOQ of 20 or a 10% short run surcharge



TRUNNION MINIBROW®

14"-35" MINIBROW SCENE LIGHTS



KEY FEATURES

- Ultra low-profile design
- Configurable optics
- Adjustable mounting rail

MODELS

FT-MB-9-TR-FT-* | 9 LEDs | 4,752 RAW LM

14"



†SPOT AND FLOOD OPTICS AVAILABLE BY REQUEST

FT-MB-12-TR-FT-* | 12 LEDs | 6,336 RAW LM

17"



†FLOOD OPTICS AVAILABLE BY REQUEST

FT-MB-18-TR-**-* | 18 LEDs | 9,504 RAW LM

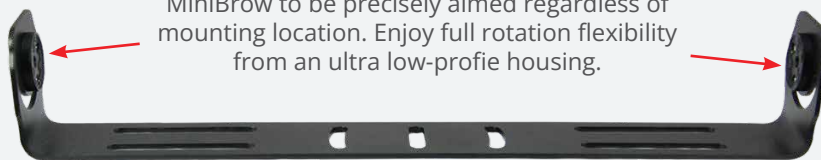
24"



†FLOOD OPTICS AVAILABLE BY REQUEST

60 POINT LOCKING AIMING SYSTEM

The sturdy trunnion bracket allows the MiniBrow to be precisely aimed regardless of mounting location. Enjoy full rotation flexibility from an ultra low-profile housing.



FT-MB-18-FT-*GWA0011 | 18 LEDs | 9,504 RAW LM

28"



†FLOOD OPTICS AVAILABLE BY REQUEST

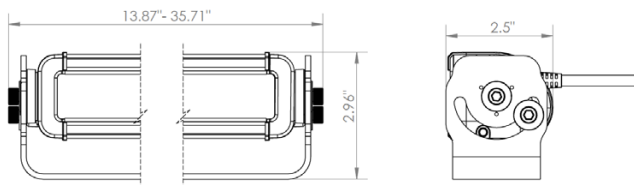
FT-MB-24-FT-*GWA0011 | 24 LEDs | 12,672 RAW LM

35"



†FLOOD OPTICS AVAILABLE BY REQUEST

DIMENSIONS



ITEM #	LENGTH	WATTS	AMP DRAW @12V DC
FT-MB-9-TR-FT-*	13.87"	45	3.75
FT-MB-12-TR-FT-*	17.65"	60	5.0
FT-MB-18-TR-FT-*	25.20"	90	7.5
FT-MB-18-FT-*GWA0011	28.15"	90	7.5
FT-MB-24-FT-*GWA0011	35.71"	120	10.0

** - "S" = Spot Optics, "F" = Flood Optics, "FT" = Combination Optics

* - Housing Color options: "B" - Black, "W" - White

† - Special build item with an MOQ of 20 or a 10% short run surcharge

MOUNTING ACCESSORIES

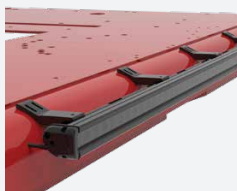
OPTIONS FOR YOUR LIGHTBARS

CAB MOUNTING BRACKET | 3" RADIUS SURFACE

For use with any brow light.

BLACK: P-MB-R3V2FOOT-B

WHITE: P-MB-R3V2FOOT-W



L-FOOT BRACKET | VERTICAL SURFACE

For use with any brow light.

BLACK: P-MB-LFOOT-B

WHITE: P-MB-LFOOT-W



END CAP BRACKET | FLAT SURFACE

For use with brow lights 36" or less only

MINIBROW BLACK: FT-MBKIT-LPX-B

MINIBROW WHITE: FT-MBKIT-LPX-W

DOUBLE MINIBROW BLACK: FT-MBKIT-PX-B

DOUBLE MINIBROW WHITE: FT-MBKIT-PX-W



LICENSE PLATE BRACKET

For use with a FT-MB-9 to license plate of nearly any vehicle.

LIGHT AND BRACKET: FT-MB-9-LP-E-B

BRACKET ONLY: FT-LPBRKT



J-FOOT BRACKET | MOUNT TO WARNING LIGHTBAR

Attaches a traditional FireTech brow light or MiniBrow light directly to the OMEN warning lightbar so no extra drilling is needed. Only available in black.

BLACK: FT-MB-JFOOT-B



SURFACE & RECESSED SCENE LIGHTS





SURFACE & RECESSED SCENE LIGHTS





GUARDIAN® SERIES

SURFACE-MOUNTED SCENE LIGHTS



KEY FEATURES

- Industry standard sizes
- Multiple output options
- Widespread precision optics

MORE LIGHT WHILE DRAWING LESS POWER

The Guardian Elite produces as much measurable light as other fixtures in the fire industry that advertise 20,000 lumens of output. However, the Guardian Elite produces that light using close to 90 watts (7.5A) LESS power per fixture, at 12V DC. What does this mean for you? In the world of modern electronics, the capacity of the 12V chassis electrical system is often quickly consumed. When building a truck with lots of DC loads, you will be less likely to experience amperage load chart or electrical system limitations due to the scene lighting package using an ultra-efficient fixture like the FireTech® Guardian Elite! Less Power = Less Heat. By keeping the circuit temperature low, the FireTech Guardian series can offer sustained light output regardless of runtime on your incident.

GUARDIAN OPTIONAL ACCESSORIES

RETROFIT GASKET



ADD -RGKIT TO THE END OF P/N

For replacing legacy fixtures that had a different sized cutout/bolt pattern. Covers old or oversized holes in the apparatus body.

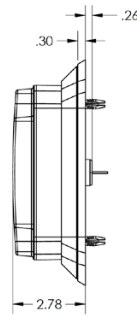
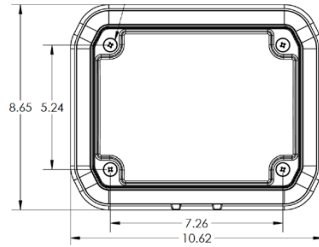
BEZEL DELETE GASKET



ADD -BDKIT TO THE END OF P/N

Allows for the installation of Guardian/Guardian Elite Scene Light without the chrome bezel for a reduced mounting profile.

DIMENSIONS FOR GUARDIAN® AND GUARDIAN ELITE



FT-GSM-* & FT-GESM-*
*-OPT. BEZEL COLOR (B-BLACK)

HiViz CONNECT™

COMING SOON with HiViz Connect™ smart functionality:
P/N: FT-HVC-GESM-*

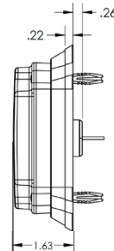
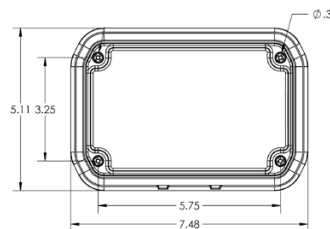
GUARDIAN | STANDARD OUTPUT | FT-GSM-*

DIMENSIONS	10.62" x 8.65" x 2.78"
RAW LUMENS	10,000
EFFECTIVE LUMENS	6,500
OPT. BEZEL COLOR	CHROME OR BLACK
WATTAGE	75W
AMP DRAW (@12V)	5.83A
INPUT VOLTAGE DC	9-32V DC

GUARDIAN ELITE | HIGH OUTPUT | FT-GESM-*

DIMENSIONS	10.62" x 8.65" x 2.78"
RAW LUMENS	20,500
EFFECTIVE LUMENS	12,290
OPT. BEZEL COLOR	CHROME OR BLACK
WATTAGE	120W
AMP DRAW (@12V)	10.41A
INPUT VOLTAGE DC	9-32V DC

DIMENSIONS FOR GUARDIAN JR | FT-GSMJR



FT-GSMJR-*
*-OPT. BEZEL COLOR (B-BLACK)

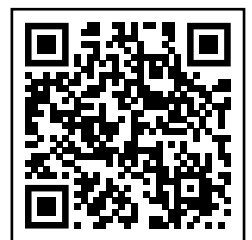
HiViz CONNECT™

COMING SOON with HiViz Connect smart functionality:
P/N: FT-HVC-GSMJR-*

GUARDIAN JR | FT-GSMJR-*

DIMENSIONS	7.48" x 5.11" x 1.63"
RAW LUMENS	5,000
EFFECTIVE LUMENS	3,125
OPT. BEZEL COLOR	CHROME OR BLACK
WATTAGE	35W
AMP DRAW (@12V)	3.33A
INPUT VOLTAGE DC	9-32V DC

**HOW TO INSTALL
GUARDIANS**





RECESSED/SEMI-RECESSED FIXED AND ADJUSTABLE SCENE LIGHTS

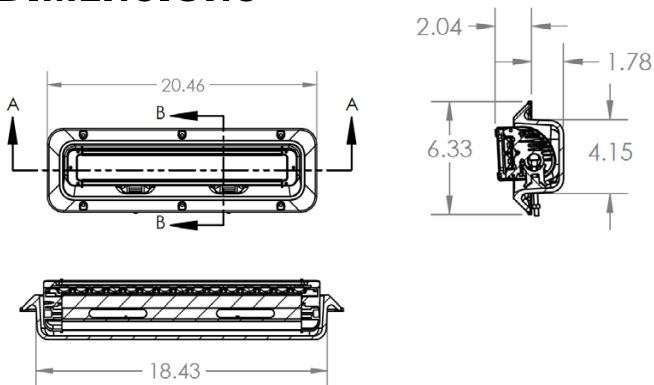


KEY FEATURES

- Requires less than 2.5" mounting depth
- Multiple output options
- Wide-spread precision optics

FT-MB-2.15--**-CPREC**
 **-OPTICS (F, FT) *-HOUSING COLOR (B, W)

DIMENSIONS



SEMI-RECESSED SCENE LIGHT

RAW LUMENS	15,840
EFFECTIVE LUMENS	11,880
OPT. HOUSING COLORS	BLACK OR WHITE
OPT. BEAM PATTERNS	FLOOD OR COMBINATION
DIMENSIONS	20.46" x 6.33" x 3.82"
WATTAGE	150W
AMP DRAW (@12V)	12.5A
INPUT VOLTAGE DC	9-32V DC
EMC APPROVAL	CISPR25 CLASS 1 / CE
VIBRATION RATING	21.2 GRMS

SEMI-RECESSED SCENE LIGHT

The FireTech® FT-MB-2.15-*-CPREC is a 150 Watt semi-recessed FireTech double stack MiniBrow® light. This fixture mounts easily to the side of your apparatus and maintains the fixture's native adjustability. Once it's installed, just aim the light where you need it and lock down the mounting feet. The FT-MB-2.15-CPREC is the perfect addition to the side of any apparatus, new or old.



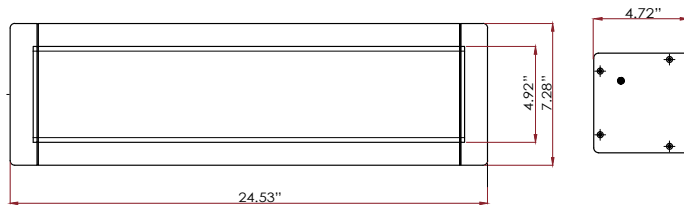
RECESSED DOUBLE STACK MINIBROW | FT-MB-2.18-REC-**-*



FULLY RECESSED; STICKS OUT LESS THAN 1/4"



FT-MB-2.18-REC--***
 **-OPTICS (FT, F†) *-HOUSING COLOR (B, W)



RECESSED DOUBLE STACKED MINIBROW

RAW LUMENS	19,008
EFFECTIVE LUMENS	13,305
OPT. HOUSING COLORS	BLACK OR WHITE
OPT. BEAM PATTERNS	COMBINATION OR FLOOD †
DIMENSIONS	24.53" x 7.28" x 4.72"
WATTAGE	180W
AMP DRAW (@12V)	15A
INPUT VOLTAGE DC	9-32V DC
CONNECTOR	DEUTSCH DTO4-2P
EMC APPROVAL	CISPR25 CLASS 1 / CE
VIBRATION RATING	21.2 GRMS

† - Flood optics are a special build item with an MOQ of 20 or a 10% short run surcharge

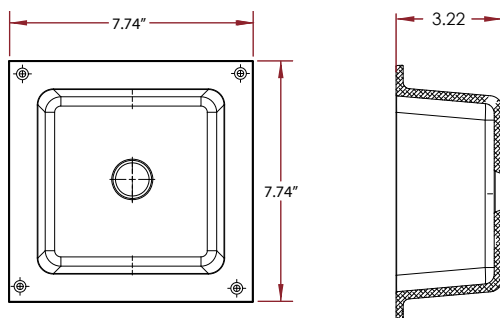
RECESSED WL-X-9 FIXED WORK LIGHT †

FIXED MOUNT



GREAT UNDER AERIAL PLATFORMS!

FT-WL-X-9-FIX--***
 *-HOUSING COLOR (B, W)

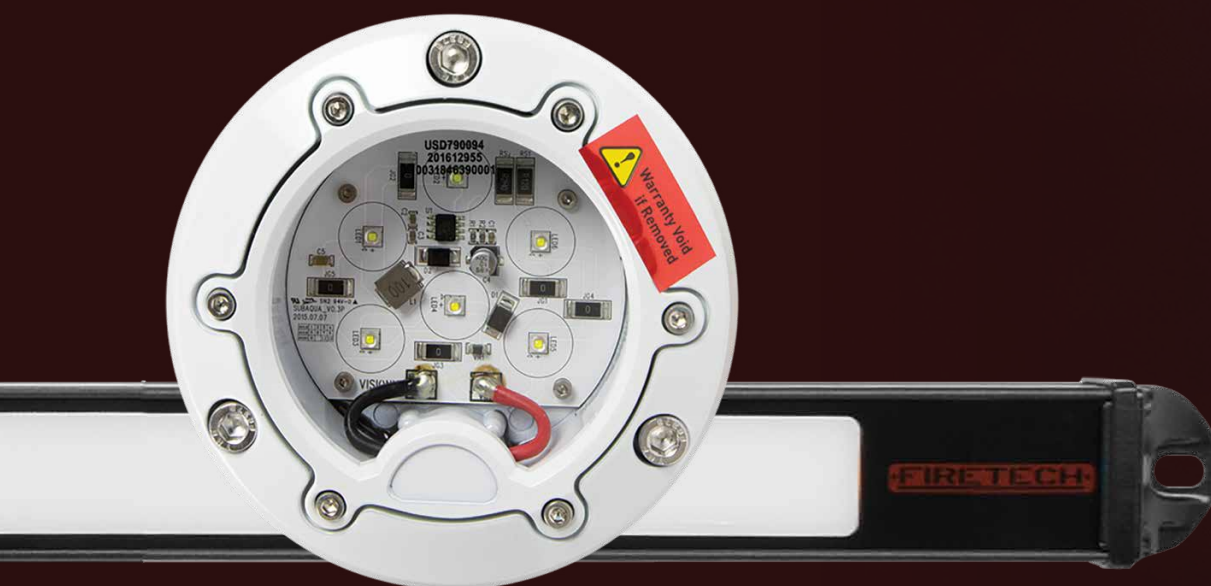


RECESSED WL-X-9 FIXED WORK LIGHT †

RAW LUMENS	7,200
EFFECTIVE LUMENS	5,734
OPT. HOUSING COLORS	BLACK OR WHITE
BEAM PATTERN	COMBINATION
DIMENSIONS	7.74" x 7.74" x 3.22"
WATTAGE	63W
AMP DRAW (@12V)	7A
INPUT VOLTAGE DC	9-32V DC
CONNECTOR	DEUTSCH DTO4-2P
EMC APPROVAL	CISPR25 CLASS 1 / CE
VIBRATION RATING	21.2 GRMS

† - Special build item with an MOQ of 20 or a 10% short run surcharge

COMPARTMENT & UNDERCARRIAGE LIGHTS





COMPARTMENT & UNDERCARRIAGE LIGHTS





COMPARTMENT & UNDERCARRIAGE

DURABLE AND COMPACT LIGHTS



KEY FEATURES

- Heavy duty and ultra durable
- Ultra low-profile design
- LED color options available

FT-CU-HD**-*

**-LENGTH OF STRIP, *-LED COLOR OPTIONS (WHITE, RW, RED, BLUE, GREEN)†

† Colored LED HD Strip Lights are special build items with an MOQ of 20 or a 10% short run surcharge. Leave optional color off P/N for standard white LEDs.

DURABLE, SLIM, AND NOW WITH COLORED LEDES

Looking to add more function and style to your new apparatus? We've got you covered! The upgraded HD strip lights are now available with new color LED options that are sure to fit any needs. Choose between a combo red & white LED for more flexibility or a single circuit red, blue, or green output. Completely waterproof, the new HD strip light can confidently be used inside or outside of the apparatus.

MODELS

7.5"	FT-CU-HD7.5 9 LEDES 71 EFFECTIVE LM	7.5"-48" 0.92"
12"	FT-CU-HD12 21 LEDES 207 EFFECTIVE LM	
24"	FT-CU-HD24 48 LEDES 379 EFFECTIVE LM	.59"
36"	FT-CU-HD36 75 LEDES 686 EFFECTIVE LM	
48"	FT-CU-HD48 96 LEDES 743 EFFECTIVE LM	

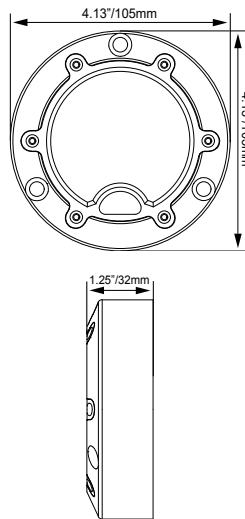
SUB-AQUA UNDERCARRIAGE LIGHT | FT-CU-AQX-**-*



SUBMERSIBLE UP TO 100'



FT-CU-AQX-*
*-HOUSING COLOR (B, W)



SUB-AQUA UNDERCARRIAGE LIGHT

RAW LUMENS	1,500
EFFECTIVE LUMENS	1,050
DIMENSIONS	4.13" X 1.25"
OPT. HOUSING COLORS	BLACK OR WHITE
OPT. LIGHT COLORS	RED/WHITE OR ALL WHITE
WATTAGE	22W
AMP DRAW (@12V)	1.833A
INPUT VOLTAGE DC	9-32V DC

Available with Red/White LEDs: FT-CU-AQX-RW-*

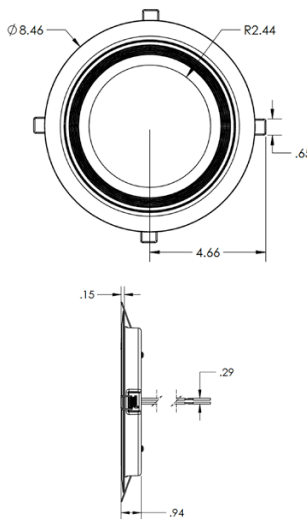
Order P/N FT-CU-AQX-*-KIT for light + mounting bracket

Blue and Green LED options are available through special order

8" ROUND INTERIOR DOME LIGHT | FT-IDL-8RD-W



FT-IDL-8RD-W



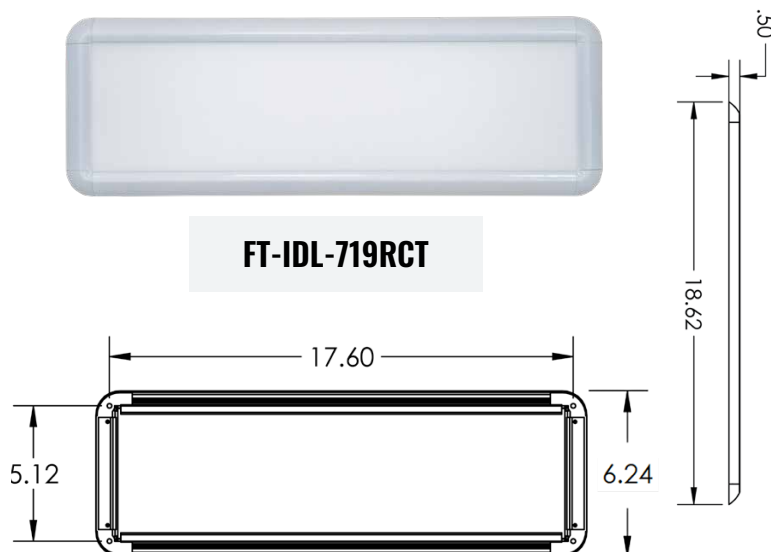
8" ROUND DOME LIGHT

RAW LUMENS	HIGH - 2,310; LOW - 895
EFFECTIVE LUMENS	HIGH - 1,373; LOW - 532
DIMENSIONS	8.5" x .94"
WEIGHT	.8 LBS.
BEZEL	WHITE
AMP (@12VDC)	1.5A
WATTS	HIGH - 19.3W; LOW - 7.5W
INPUT VOLTAGE DC	12V DC
LED COLOR	WHITE
CERTIFICATIONS	ECE R10; AMD 016

7X19" DOME LIGHT | FT-IDL-719RCT



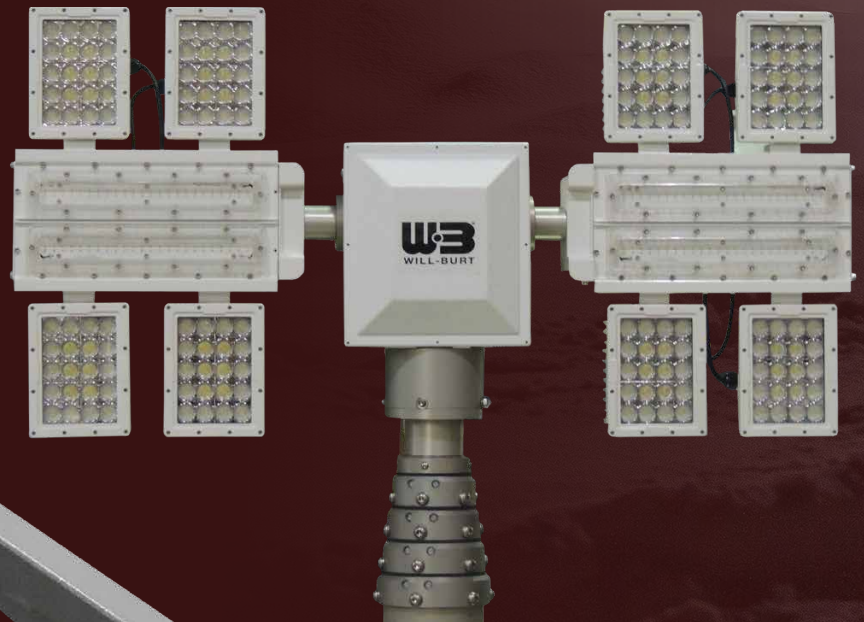
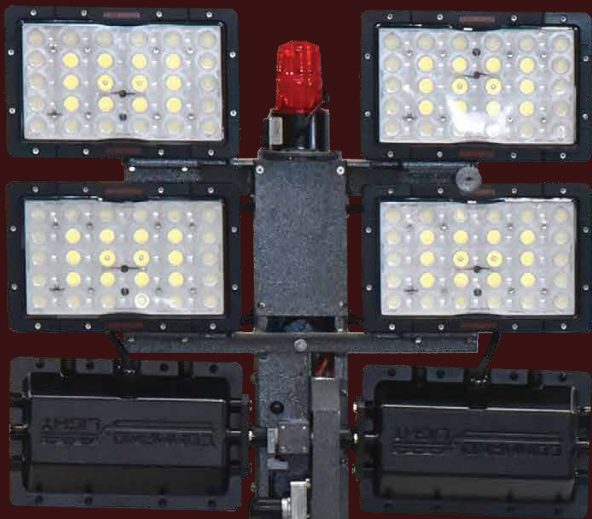
FT-IDL-719RCT



7X19" DOME LIGHT

RAW LUMENS	1,300
EFFECTIVE LUMENS	772
DIMENSIONS	18.6" x 6.24" x .5"
WEIGHT	1 LB.
BEZEL	WHITE
INPUT VOLTAGE DC	10-30V DC
AMP DRAW	1.0A @12V DC
WATTS	12W
LED COLOR	WHITE
CERTIFICATIONS	ECE R10; AMD 016

LIGHT TOWERS





LIGHT TOWERS





COMMAND LIGHT TOWER FIXTURES

FEATURING FIRETECH WL-X-15s



CL SERIES

TALLEST TOWER

The CL Series provides the largest reach, nearly 11' from its base.

FEATURING HELIOS BY FIRETECH

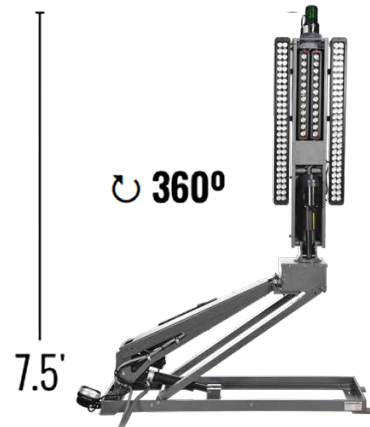


KL SERIES

MID-SIZE SERIES

Command Light's mid-size Knight Series delivers a reach of nearly 7.5' from its base.

FEATURING FIRETECH MINIBROWS



KNIGHT SLIM

NARROW DESIGN

The Slim stows flat at just 12" x 13" x 53" while producing 70,000 total lumens.



SCAN FOR
FULL CATALOG





WILL-BURT LIGHT TOWER FIXTURES



X200

CHIEF LIGHT TOWER



SIRION

POWERLITE PROFILER TOWER



XL200

POWERLITE TOWER



SIRION

VERTICAL COMPLETE LIGHT TOWER

WHY CHOOSE FIRETECH LIGHTS IN YOUR LIGHT TOWER

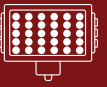
- Symmetrical optics put more light on target
- Higher luminous efficacy means less energy consumed
- Superior warranty covers you for life
- Available in AC or DC

SCAN FOR
FULL CATALOG



POLE LIGHTS





POLE LIGHTS





POLE-MOUNTED LIGHTS

ELEVATION IS THE KEY TO REDUCING GLARE



20,000 RAW LUMEN LED SCENE LIGHT

KEY FEATURES

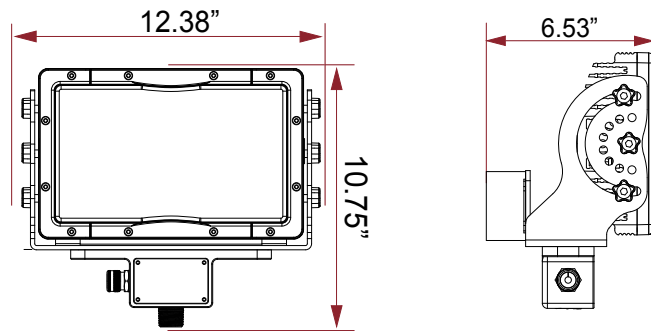
- 1,000-1,500W halogen replacement
- Optional 28,000 lumen "X" version

FOR UPGRADED OUTPUT SEE "X" SPECS below

FT-SL-15 / FT-SL-X-15

RAW LUMENS X	20,000 28,000
EFFECTIVE LUMENS X	11,888 15,305
HOUSING COLOR	BLACK OR WHITE
OPT. BEAM PATTERNS	SPOT, FLOOD, COMBO
DIMENSIONS	12.38" x 10.75" x 6.53"
WATTAGE X	150W 185W
AMP DRAW (@12V)	12.5A 15.4A
INPUT VOLTAGE DC	11-65V DC / 90-277V AC

DIMENSIONS



CONFIGURE PART NUMBER

AVAILABLE OUTPUT AND POWER OPTIONS

"X" DESIGNATES 7W LEADS - HIGH OUTPUT
"110" DESIGNATES 90-277V AC POWER

SWITCH OR NO SWITCH OPTION

"SW" DESIGNATES SWITCH OPTION

HOUSING COLOR OPTIONS

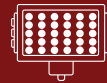
W=WHITE  B=BLACK 

(OPT) | BEAM | (OPT) | SWITCH | HOUSING
 (OPT. GEN) | BEAM | (OPT) | SWITCH | HOUSING
 ↓ ↓ ↓ ↓ ↓
 FT-SL-X-15- -110- - -
 S F FT B W

EXAMPLE CONFIGURATION

FT-SL-15-F-110-SW-W

SCENE LIGHT - 30 LED - FLOOD BEAM - AC POWER MODULE - SWITCH - WHITE HOUSING



POLE-MOUNTED GUARDIAN® KEY FEATURES

- Compact size
- Less than 20% thermal degradation
- 10k and 20k equivalent light output
- AC or DC operation

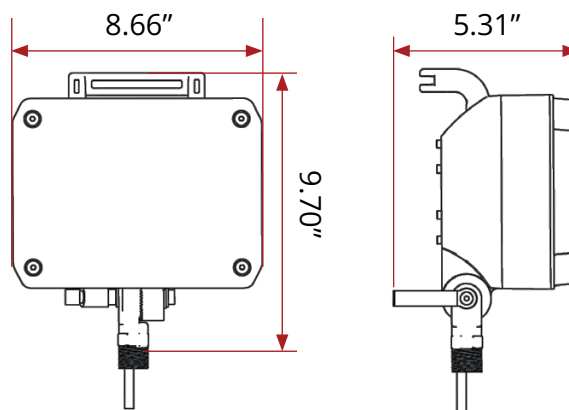
GUARDIAN® | STANDARD OUTPUT

RAW LUMENS	10,000
EFFECTIVE LUMENS	6,500
HOUSING COLORS	BLACK
WATTAGE	75W
AMP DRAW (@12V)	5.83A
INPUT VOLTAGE DC	9-32V DC

GUARDIAN ELITE | HIGH OUTPUT

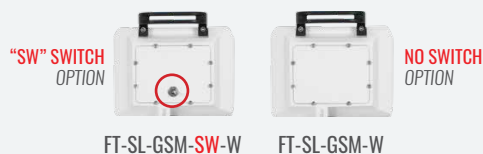
RAW LUMENS	20,500
EFFECTIVE LUMENS	12,290
HOUSING COLOR	BLACK
WATTAGE	120W
AMP DRAW (@12V)	10.41A
INPUT VOLTAGE DC	9-32V DC

DIMENSIONS



CONFIGURE PART NUMBER

SWITCH OR NO SWITCH ON BACKPLATE



AVAILABLE OUTPUT AND POWER OPTIONS

GSM= STANDARD GUARDIAN
GESM= GUARDIAN ELITE

"110"
DESIGNATES
90-277V AC POWER
(STANDARD IS 9-32V DC)

(OPT) (OPT)
OUTPUT | INPUT | SWITCH | HOUSING

FT-SL-____ - 110-SW-____
GSM GESM B W

HOUSING COLOR OPTIONS

W=WHITE [White swatch] B=BLACK [Black swatch]

EXAMPLE CONFIGURATION

FT-SL-GESM-SW-B

GUARDIAN ELITE SCENE LIGHT - BACK SWITCH
9-32V DC INPUT - BLACK HOUSING

WORK LIGHTS





WORK LIGHTS





WORK LIGHTS

HIGH LIGHT OUTPUT, COMPACT DESIGN

GREAT FOR AERIAL TIP AND AS TRACKING LIGHT!



FT-WL-X-9--***
**-OPTICS (F, FT) *-HOUSING COLOR (B, W)

9 LED WORK & AREA LIGHT

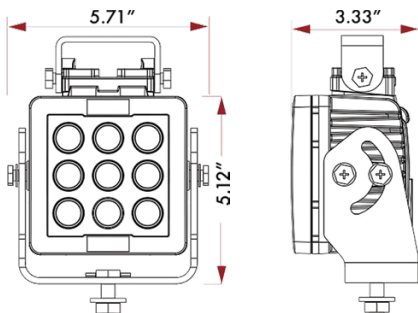
KEY FEATURES

- Compact size
- Patented thermal technology to prevent overheating
- Can withstand vibration up to 21Grms
- NFPA 1900 2024 edition compliant at the tip of an aerial

WHY CHOOSE THE WL-X-9?

The FT-WL-X-9 is a 63 watt LED work light designed for use in the fire industry. It meets the minimum NFPA 1900 (2024 revision) illumination requirement for a single 12V LED aerial tip light. This fixture is designed with our patented intelligent active thermal management LED driver which prevents the circuitry from overheating, regardless of the fixture's operating environment. Like the rest of the FireTech® products, the FT-WL-X-9 is backed by our Advance Exchange Lifetime Warranty.

DIMENSIONS

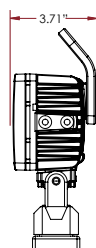
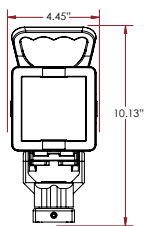


HiViz CONNECT™
COMING SOON with
HiViz Connect smart
functionality:
P/N: FT-HVC-WL-X-9

9 LED WORK AND AREA LIGHT

RAW LUMENS	7,200
EFFECTIVE LUMENS	5,734
OPT. HOUSING COLORS	BLACK OR WHITE
OPT. BEAM PATTERNS	FLOOD AND COMBINATION
DIMENSIONS	5.71" x 5.12" x 3.33"
BUILT-IN SWITCH	YES
WATTAGE	63W
AMP DRAW (@12V)	5.26A
INPUT VOLTAGE DC	9-32V DC
CONNECTOR	DEUTSCH DTO4-2P
EMC APPROVAL	CISPR25 CLASS 3
VIBRATION RATING	21.2 Grms

9 LED ADJUSTABLE WORK & AREA LIGHT | FT-WL-X-9-**-*-SH2



FT-WL-X-9-**-*-SH2

** -OPTICS (F, FT, St) * -HOUSING COLOR (B, W)

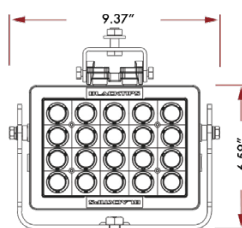
† Spot optics are a special build item with an MOQ of 20 or a 10% short run surcharge.

9 LED ADJUSTABLE WORK AND AREA LIGHT

RAW LUMENS	7,200
EFFECTIVE LUMENS	5,734
OPT. HOUSING COLORS	BLACK OR WHITE
OPT. BEAM PATTERNS	FLOOD, COMBINATION, SPOTT
DIMENSIONS	4.45" x 10.13" x 3.71"
BUILT-IN SWITCH	YES
WATTAGE	63W
AMP DRAW (@12V)	5.26A
INPUT VOLTAGE DC	9-32V DC
CONNECTOR	DEUTSCH DT04-2P
EMC APPROVAL	CISPR25 CLASS 3
VIBRATION RATING	21.2 GRMS

† Spot optics are a special build item with an MOQ of 20 or a 10% short run surcharge.

20 LED WORK & AREA LIGHT | FT-WL-X-20-**-*



FT-WL-X-20-FT-*

** -OPTICS (S, F, FT) * -HOUSING COLOR (B, W)

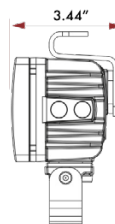
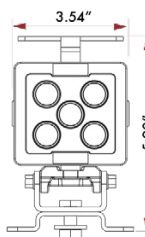
† FT-WL-X-20-S-B and FT-WL-X-20-F-W are special build items with an MOQ of 20 or a 10% short run surcharge.

20 LED WORK AND AREA LIGHT

RAW LUMENS	16,000
EFFECTIVE LUMENS	11,270
OPT. HOUSING COLORS	BLACK OR WHITE
OPT. BEAM PATTERNS	FLOOD, COMBINATION, SPOT
DIMENSIONS	9.37" x 6.59" x 4.13"
BUILT-IN SWITCH	NO
WATTAGE	140W
AMP DRAW (@12V)	11.66A
INPUT VOLTAGE DC	9-32V DC
CONNECTOR	DEUTSCH DT04-2P
EMC APPROVAL	CISPR25 CLASS 3
VIBRATION RATING	21.2 GRMS

† FT-WL-X-20-S-B and FT-WL-X-20-F-W are special build items with an MOQ of 20 or a 10% short run surcharge.

5 LED WORK & LIGHT WITH HANDLE | FT-WL-X-5H-**-*



FT-WL-X-5H-**-*

** -OPTICS (FT, Ft) * -HOUSING COLOR (B, W)

† Flood optics are a special build item with an MOQ of 20 or a 10% short run surcharge.

5 LED WORK AND AREA LIGHT

RAW LUMENS	4,000
EFFECTIVE LUMENS	3,305
OPT. HOUSING COLORS	BLACK OR WHITE
OPT. BEAM PATTERNS	FLOOD†, COMBINATION
DIMENSIONS	3.54" x 5.98" x 3.44"
BUILT-IN SWITCH	YES
WATTAGE	35W
AMP DRAW (@12V)	2.9A
INPUT VOLTAGE DC	9-32V DC
CONNECTOR	DEUTSCH DT04-2P
EMC APPROVAL	CISPR25 CLASS 3
VIBRATION RATING	21.2 GRMS

† Flood optics are a special build item with an MOQ of 20 or a 10% short run surcharge.



5 LED WORK & AREA LIGHT | FT-WL-X-5-**-*_

KEY FEATURES

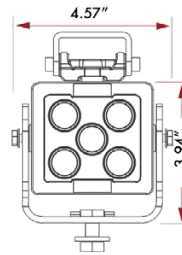
- Outstanding light output
- Five mounting configurations
- CE approved
- Anti-corrosion coating



FT-WL-X-5-FT-*

** -OPTICS (FT, St, Ft) * -HOUSING COLOR (B, W)†

† Flood optics and FT-WL-X-5-S-W are special build items with an MOQ of 20 or a 10% short run surcharge.



5 LED WORK AND AREA LIGHT

RAW LUMENS	4,000
EFFECTIVE LUMENS	3,305
OPT. HOUSING COLORS	BLACK OR WHITE†
OPT. BEAM PATTERNS	FLOOD†, COMBINATION, SPOT†
DIMENSIONS	3.94" x 4.57" x 2.95"
BUILT-IN SWITCH	YES
WATTAGE	35W
AMP DRAW (@12V)	2.9A
INPUT VOLTAGE DC	9-32V DC
CONNECTOR	DEUTSCH DT04-2P
EMC APPROVAL	CISPR25 CLASS 3
VIBRATION RATING	21.2 GRMS

† Flood optics and FT-WL-X-5-S-W are a special build items with an MOQ of 20 or a 10% short run surcharge.

7 LED WORK & AREA LIGHT | FT-WL-3500-**-*_-***

KEY FEATURES

- Ultra-reliable work light
- NFPA 1900 2024 compliant rear work light



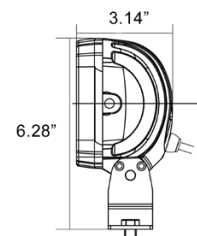
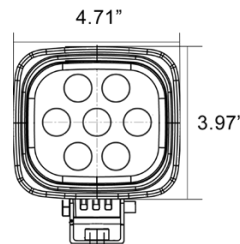
FT-WL-3500--*_-*****

** -OPTICS (F, FT, St) * -HOUSING COLOR (B, W)

*** -LED COLOR (BLUE IS AVAILABLE WITH FT AND S OPTICS, RED IS AVAILABLE WITH S OPTICS)†

■ Red ■ Blue

† Colored LEDs and Spot optics are special build items with an MOQ of 20 or a 10% short run surcharge.



7 LED WORK AND AREA LIGHT

RAW LUMENS	3,696
EFFECTIVE LUMENS	2,587
OPT. HOUSING COLORS	BLACK OR WHITE
OPT. ALT. LED COLORS	BLUE OR RED
OPT. BEAM PATTERNS	FLOOD, COMBINATION, SPOT†
DIMENSIONS	4.71" x 3.97" x 3.14"
BUILT-IN SWITCH	YES
WATTAGE	35W
AMP DRAW (@12V)	2.9A
INPUT VOLTAGE DC	11-65V DC
CONNECTOR	DEUTSCH DT04-2P
EMC APPROVAL	CISPR25 CLASS 3
VIBRATION RATING	15.6 GRMS

† Colored LEDs and Spot optics are special build items with an MOQ of 20 or a 10% short run surcharge.

4 LED UTILITY LIGHT | FT-WL-2000-**-*_-***

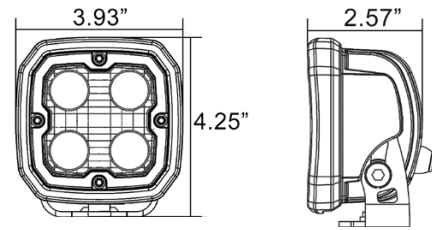


KEY FEATURES

- Ultra-reliable entry level utility/work light
- NFPA 1900 2024 compliant rear work light



AVAILABLE WITH **COLORED** LEDS



4 LED GENERAL PURPOSE UTILITY LIGHT

RAW LUMENS	2,115
EFFECTIVE LUMENS	1,164
OPT. HOUSING COLORS	BLACK OR WHITE
OPT. ALT. LED COLORS	BLUE, RED, GREEN, AMBER
OPT. BEAM PATTERNS	SPOT, FLOOD, COMBO
DIMENSIONS	3.93" x 4.25" x 2.57"
BUILT-IN SWITCH	NO
WATTAGE	20W
AMP DRAW (@12V)	1.66A
INPUT VOLTAGE DC	9-32V DC
CONNECTOR	DEUTSCH DT04-2P
EMC APPROVAL	CISPR25 CLASS 3

STANDARD MODELS

ITEM #	DESCRIPTION
FT-WL-2000-FT-B	4 LED Work Light. 2,116 lm. 4" x 3" x 4". 20W. Combination Optics. Black Housing.
FT-WL-2000-F-B	4 LED Work Light. 2,116 lm. 4" x 3" x 4". 20W. Flood Optics. Black Housing.
FT-WL-2000-F-W	4 LED Work Light. 2,116 lm. 4" x 3" x 4". 20W. Combination Optics. White Housing.
FT-WL-2000-S-B	4 LED Work Light. 2,116 lm. 4" x 3" x 4". 20W. Spot Optics. Black Housing.
FT-WL-2000-S-W	4 LED Work Light. 2,116 lm. 4" x 3" x 4". 20W. Spot Optics. White Housing.
FT-WL-2000-S-B-BLUE	4 Blue LED Work Light. 2,116 lm. 4" x 3" x 4". 20W. Spot Optics. Black Housing.
FT-WL-2000-S-B-RED	4 Red LED Work Light. 2,116 lm. 4" x 3" x 4". 20W. Spot Optics. Black Housing.
FT-WL-2000-S-B-GREEN	4 Green LED Work Light. 2,116 lm. 4" x 3" x 4". 20W. Spot Optics. Black Housing.

SPECIAL ORDER MODELS†

ITEM #	DESCRIPTION
FT-WL-2000-FT-W	4 LED Work Light. 2,116 lm. 4" x 3" x 4". 20W. Combination Optics. White Housing.
FT-WL-2000-FT-B-RED	4 Red LED Work Light. 2,116 lm. 4" x 3" x 4". 20W. Combination Optics. Black Housing.
FT-WL-2000-FT-W-RED	4 Red LED Work Light. 2,116 lm. 4" x 3" x 4". 20W. Combination Optics. White Housing.
FT-WL-2000-F-B-RED	4 Red LED Work Light. 2,116 lm. 4" x 3" x 4". 20W. Flood Optics. Black Housing.
FT-WL-2000-F-B-BLUE	4 Blue LED Work Light. 2,116 lm. 4" x 3" x 4". 20W. Flood Optics. Black Housing.
FT-WL-2000-S-W-BLUE	4 Blue LED Work Light. 2,116 lm. 4" x 3" x 4". 20W. Spot Optics. White Housing.
FT-WL-2000-S-B-AMBER	4 Amber LED Work Light. 2,116 lm. 4" x 3" x 4". 20W. Spot Optics. Black Housing.

† Special build items have an MOQ of 20 or a 10% short run surcharge.

SPECIALTY LIGHTS







PIXEL LADDER LIGHT

THE MOST VERSATILE AERIAL LIGHT EVER CREATED

FT-PXL-61

KEY FEATURES

- Indicate key aerial statuses
- Support up to 5 ladder sections
- Choose any color/mode

LIMITLESS FUNCTIONALITY

Adding the Pixel Ladder Light to your fire apparatus aerial device brings a whole new level of sophistication. Each LED in the system is individually controlled by our System Manager, and gives you the ability to choose from a variety of functions on-the-fly. These functions can be solid colors to illuminate the ladder rungs or can be tied to a variety of functions* to indicate certain aerial device statuses. These can include things like flashing when the aerial is in motion, changing colors to indicate when certain load limits are reached, or visually indicating emergency-evacuation or water flowing.

In addition to functionality associated with firefighting, we know aerial devices are often used in parades or community support functions. Supporting the local high school on game night? Fly the school colors! Celebrating Breast Cancer Awareness Month? At the tap of a button, turn the aerial pink! You can even choose things like "Rocket" or "Twinkle" or "American Flag" all without ever losing the primary function of being the best darn aerial rung light ever produced for a fire apparatus.



CHOOSE ANY COLOR

The system manager allows for user-programmable selection of any "solid" color or combination of colors (white, red, blue, green, orange, pink, rainbow, red/white/blue, etc.).



CHOOSE YOUR FLASH PATTERN

Program any input wire to act as a flashing indicator. This can be wig/wag, scrolling, or blinking and can be used to indicate a variety of aerial conditions.



CHOOSE THE INTENSITY

The entire system is dimmable and can be configured to come on at a variety of intensities.





AVAILABLE FUNCTIONS

FULL

Entire light strip on. Color can be any RGB value or white.

WIG/WAG

Even/odd groups of the light strip flash on and off at a selected rate.

WIPE

LEDs incrementally turn on going up/down the light strip at a selected rate, creating the effect of lights “wiping” up/down the ladder.

FLASH

Entire light strip flashes on and off at a selected rate.

RAINBOW

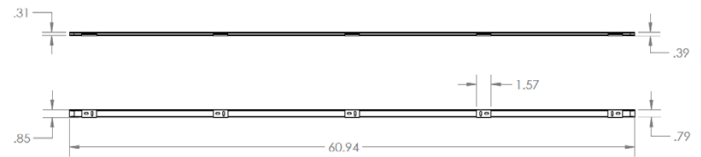
Entire light strip turns on and flows rainbow colors up/down the ladder.

TWINKLE

Random LEDs along the light strip twinkle on and off at a selected rate, ramping up in brightness to the “full” state and then back down during the twinkle duration.

PIXEL LADDER LIGHT STRIPS

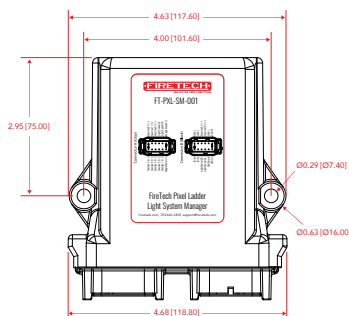
VOLTAGE RANGE	9-32V DC
AMP DRAW (@12V)	.78A
OPERATING TEMP.	-40F TO 176F
INGRESS PROTECTION RATING	IP68/ IP69K
DIMENSIONS	60.94" x 0.85" x 0.39"



PIXEL CONTROLLER | FT-PXL-SM-001

The Pixel Controller (sold separately), otherwise known as the “System Manager,” has 10 user-programmable input wires. These wires can be assigned to any of the above functions and colors. Apparatus manufacturers can then assign switches or outputs from their electrical system to energize any of the 10 pre-selected functions.

Installation of this product requires engineering support from both the apparatus manufacturer and the FireTech team. Training will be provided to any interested apparatus OEM at no cost. This product may or may not be compatible with certain applications or aerial devices. Custom programming, functionality, and integration support are available to apparatus OEMs.



PIXEL CONTROLLER

VOLTAGE RANGE	9-32V DC
OPERATING TEMP.	-40C TO 60C
INGRESS PROTECTION RATING	IP67 AND IP6K9K
RS4-85 BAUD	19,200
DIMENSIONS	4.680" x 5.240" x 1.420"
HARNESS CONNECTORS	DEUTSCH DTM06-12SA + DTM06-12SB



LASER CANNON

PRECISION LASER LIGHTING TECHNOLOGY



KEY FEATURES

- Daytime visible class 3b laser
- High intensity spherical-type optic
- Compact design

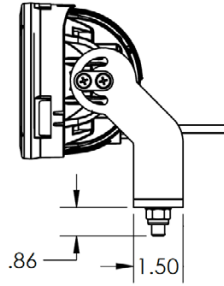
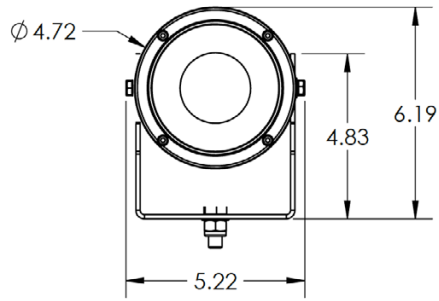
FT-LZC2-4-B

VISIBLE IN BROAD DAYLIGHT

The major problem the laser cannon addresses is aiding in outrigger placement even during daytime. The high intensity laser emitter and spherical-type optic focuses the laser beam with so much intensity that even during the brightest day the light beam is still visible to the operator.



DIMENSIONS

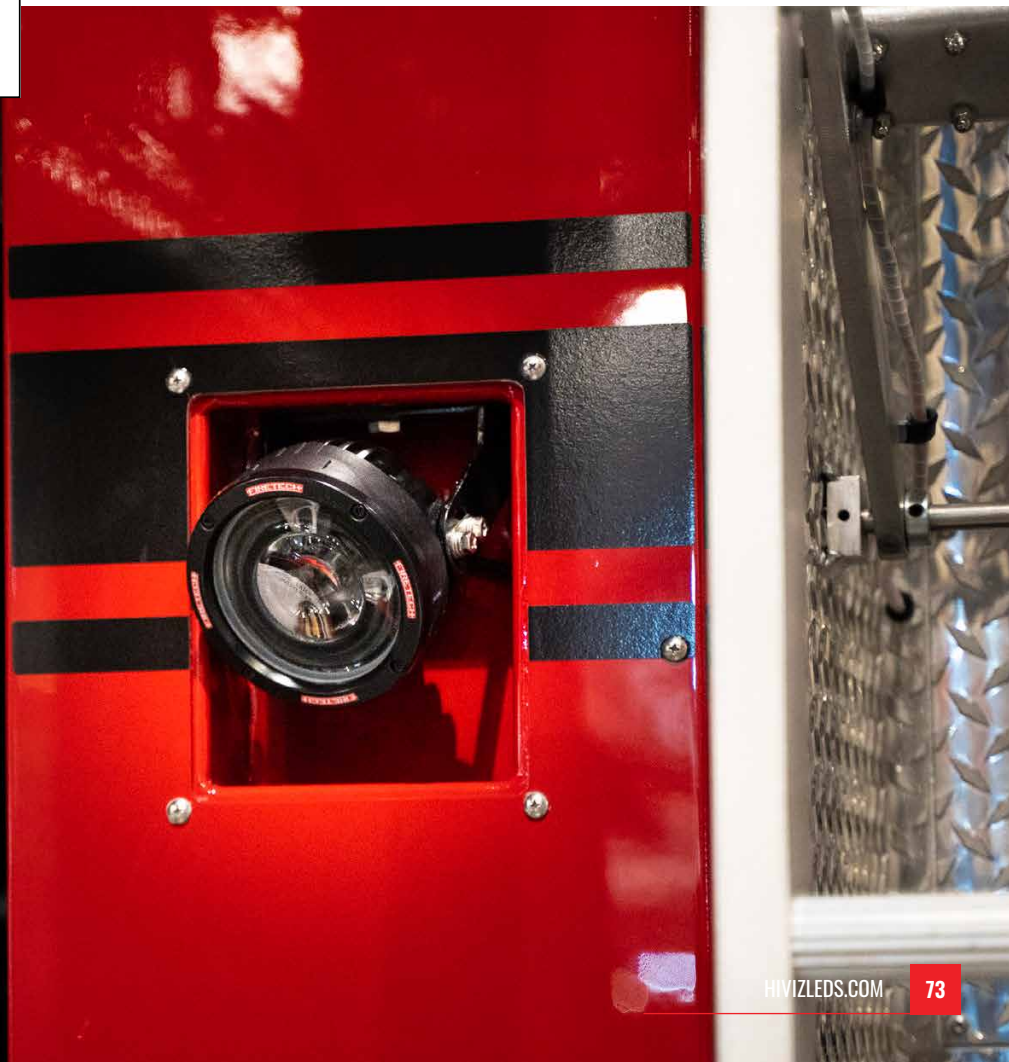


LASER CANNON

LASER	WP-PX BLUE LAKE
EFFECTIVE LUMENS	670
OPT. HOUSING COLORS	BLACK
DIMENSIONS	5.22" x 6.19" x 4.94"
WATTAGE	12W
AMP DRAW (@12V)	1.17A
INPUT VOLTAGE DC	9-32V DC



SCAN TO SEE THE LASER CANNON IN ACTION ON YOUTUBE!



SOFTWARE & ACCESSORIES







FIELD SUPPORT TOOL

UPDATING SMART LIGHTS



FT-FIELDSUPPORTTOOL

KEY FEATURES

- Configure “smart” products
- Diagnose and transmit trouble areas
- Receives updates from HiViz engineering as features are released

FIELD SUPPORT TOOL

FireTech® “Smart” products like our Pixel Ladder Light, BG2 Smart Lighting System, HiViz Connect™ warning lights, and OMEN™ warning lightbar all receive programming over wire. This tool allows you to configure these products as well as install software updates as they become available. This tool is also extremely helpful in diagnosing problem areas, even connecting back to the HiViz engineering team to “talk to your truck” and see exactly what sort of messages are being sent/received by the lighting system.

This tool is NOT required to use our systems, only to configure it. As such, training is required and this tool is restricted to bonafide dealer, OEM, and up-fitter partners who are in good standing with HiViz. If you are an end-user looking to make updates to your system, contact HiViz and our team will provide more information about shipping a loaner field support tool or scheduling a visit from a qualified HiViz smart product technician.

MADE IN
USA





TELLING THE STORIES OF FIRST RESPONDER OWNED BUSINESSES

A typical first responder shift: 24 hours on, 48 hours off. This schedule has sparked the entrepreneurial spirit of many, fueling the growth of new businesses small and large. We're here to tell those stories.



[THE2448.COM](https://www.the2448.com)

CHECK US OUT



ON YOUTUBE



**PILOT
KNOB
VFD**



OMEN TRUCK
IN ACTION



**1987 PIERCE ARROW
LED LIGHTING
UPGRADE**





HIVIZ LIGHTING, INC.



149 Twin Springs Road
Hendersonville, NC 28792



P: (703) 662-3458



firetech@hivizleds.com
hivizleds.com

FOLLOW US @HIVIZLEDLIGHTING



COPYRIGHT © 2024 HIVIZ LIGHTING, INC.